

Item description/product images



Description

Material:

Grip thermoplastic, glass-bead reinforced.  
Tapped bush brass.

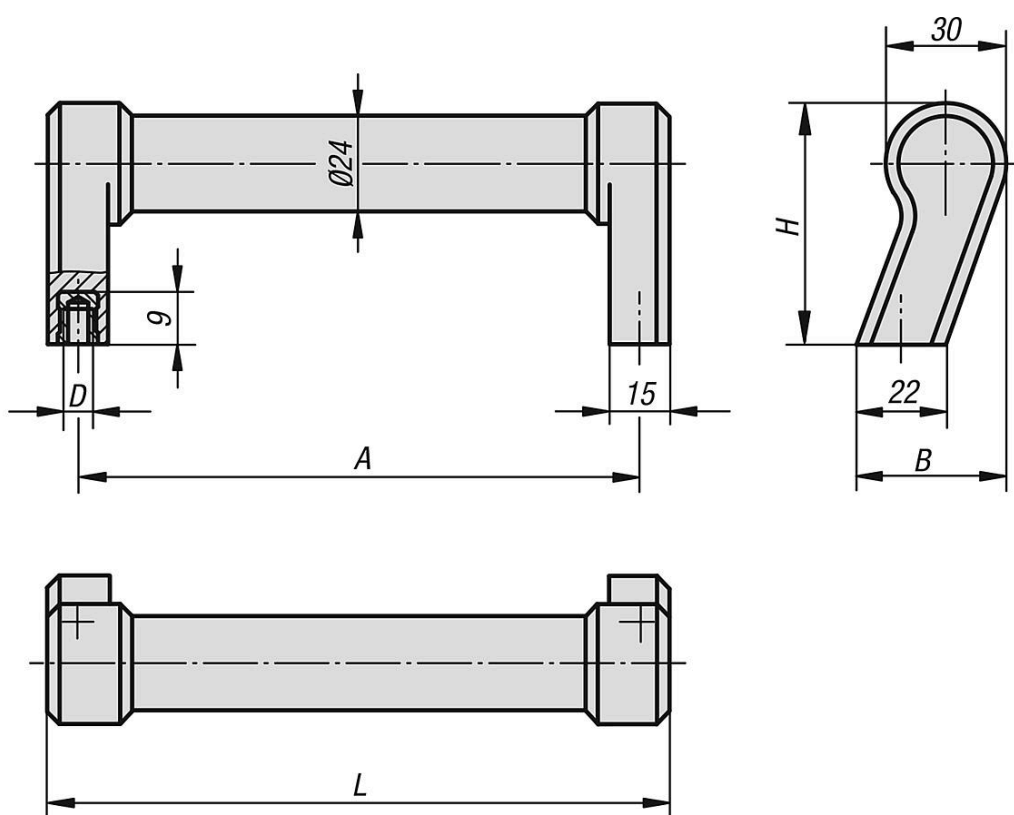
Version:

Matt black or light grey

Note:

Oblique, robust polyamide handle. Tube and legs form one unit. The oblique contact faces allow mounting under cramped conditions e.g. in corners.

Drawings



Overview of items

| Order No.    | Main colour         | A   | B  | D  | H  | L   | Load capacity N |
|--------------|---------------------|-----|----|----|----|-----|-----------------|
| 06912-140061 | black grey RAL 7021 | 140 | 37 | M6 | 60 | 155 | 1000            |
| 06912-140062 | light grey RAL 7035 | 140 | 37 | M6 | 60 | 155 | 1000            |

