

## Pull handles arch



**Material:**

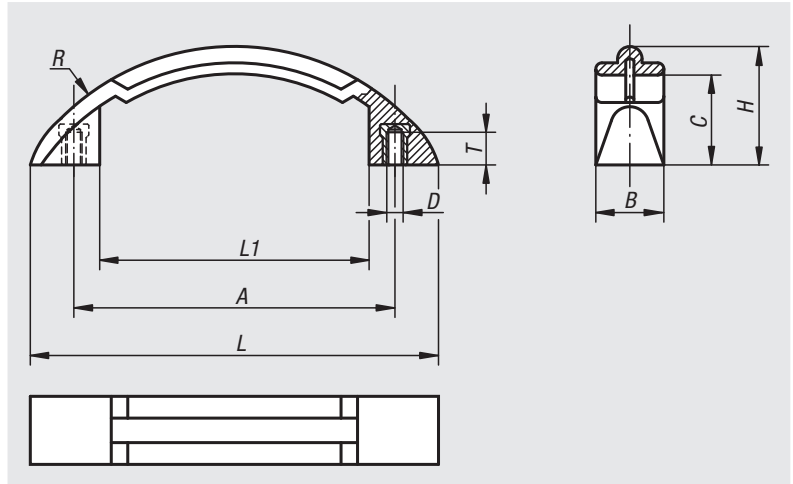
Thermoplastic, black grey.  
Bushes electro zinc-plated steel.

**Sample order:**

nIm 06911-11906

**Assembly:**

From the rear.



Order No.	A	B	C	D	H	L	L1	R	T	Load capacity N
06911-11906	119	25	33	M6	43,5	150	98	94	10	1000

## Pull handles oblique

oblique



**Material:**

Grip glass-bead reinforced thermoplastic.  
Bushing brass.

**Version:**

Matt black or light grey

**Sample order:**

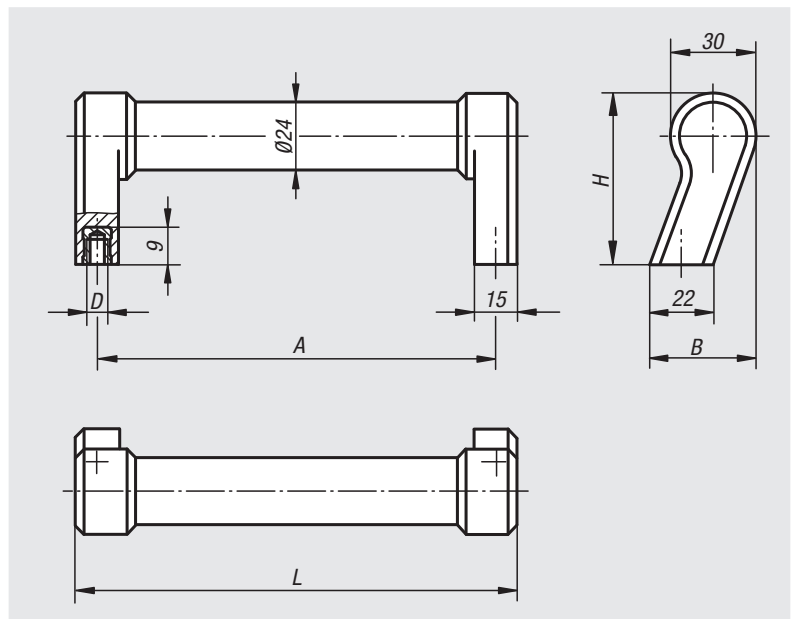
nIm 06912-140061

**Note:**

Oblique, robust polyamide handle. Tube and legs form one unit. The oblique contact faces allow mounting under cramped conditions e.g. in corners.

**Assembly:**

From the rear.



Order No.	Main colour	A	B	D	H	L	Load capacity N
06912-140061	black grey RAL 7021	140	37	M6	60	155	1000
06912-140062	light grey RAL 7035	140	37	M6	60	155	1000