

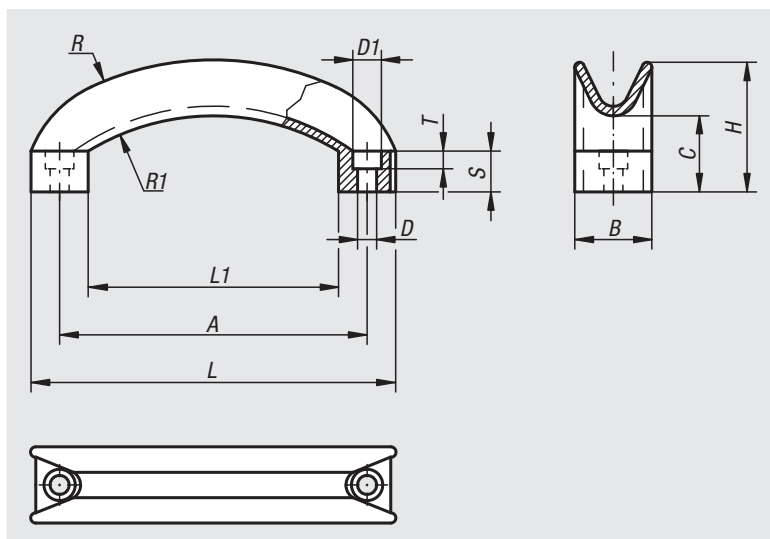
Pull handles arch



Material:
Black grey thermoplastic.

Sample order:
nlm 06909-11406

Assembly:
From the front.



Order No.	A	B	C	D	D1	H	L	L1	R	R1	S	T	Load capacity N
06909-11406	114	28	29	6,5	10,5	48	134	92	117	79	15	6,5	1000

Pull handles

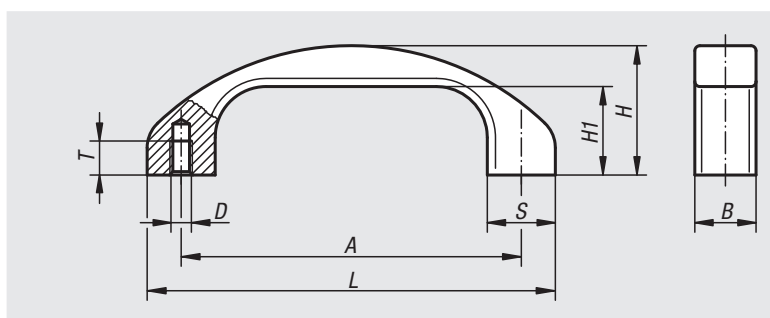


Material:
Profile aluminium EN AW-6060

Version:
High quality anodised version, glass-bead blasted, semi-gloss finish.

Sample order:
nlm 06910-120061

Assembly:
From the rear.



Order No.	Main colour	A	B	D	H	H1	L	S	T	Load capacity N
06910-120061	black anodised	120	22	M6	46	31	144	24	12	1000
06910-140081	black anodised	140	25	M8	53	36	168	28	15	1000
06910-120063	natural anodised	120	22	M6	46	31	144	24	12	1000
06910-140083	natural anodised	140	25	M8	53	36	168	28	15	1000