

Pull handles



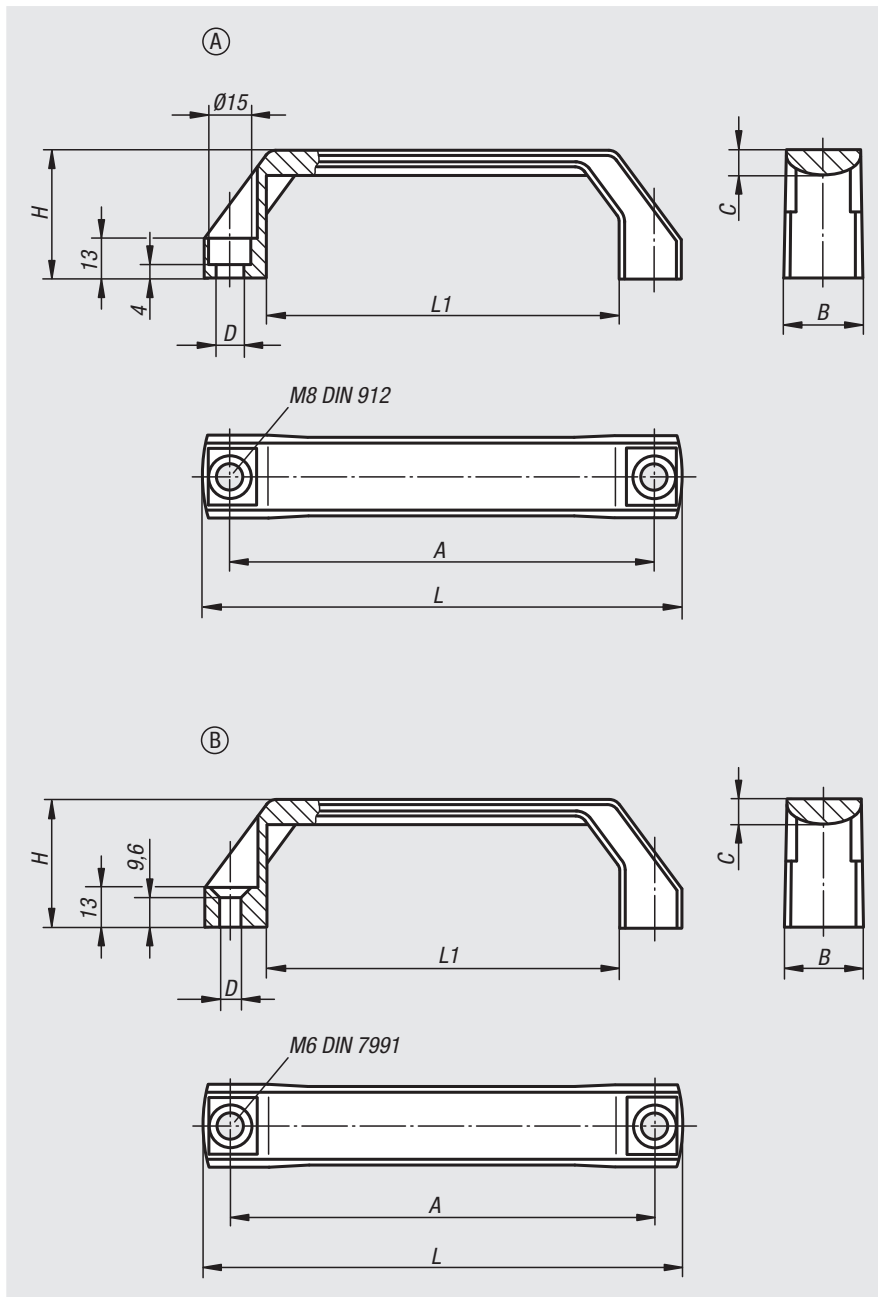
Material:
Glass bead reinforced thermoplastic.

Version:
Black RAL 7021 or orange.

Sample order:
nlm 06904-1120081

Note:
Dimension "A" applies after mounting. Before mounting it can be up to 2 mm smaller due to the release of the bending stress.

Assembly:
From the front.



Order No. black grey RAL 7021	Order No. orange	Form	A	B	C	D	H	L	L1	Load capacity N
06904-1120081	06904-1120082	A	120	26	8	9	42	138	96	1000
06904-1140081	06904-1140082	A	140	26	8	9	42	158	116	1000
06904-1160081	06904-1160082	A	160	28	9	9	45	178	136	1000
06904-2120061	06904-2120062	B	120	26	8	6,6	42	138	96	1000
06904-2140061	06904-2140062	B	140	26	8	6,6	42	158	116	1000
06904-2160061	06904-2160062	B	160	28	9	6,6	45	178	136	1000