

## Pull handles, plastic oval


**Material:**

Thermoset PF 31.

Tapped bush, steel or stainless steel.

**Version:**

Thermoset black, high-gloss polished.

Trivalent blue passivated steel or bright stainless steel.

**Sample order:**

nIm 06901-01-21280621

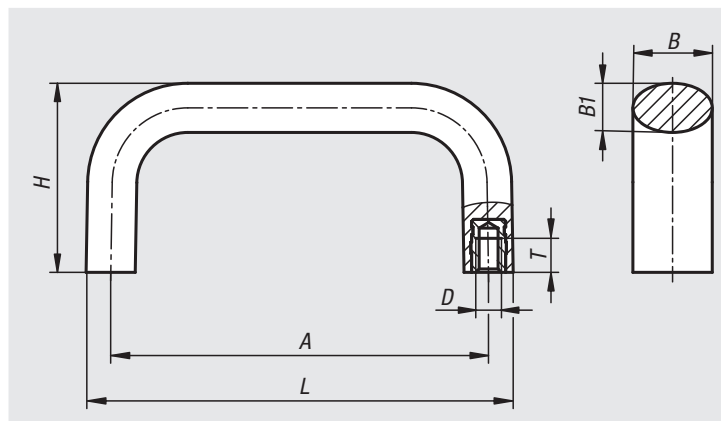
**Temperature range:**

Permanent application temperature 140 °C.

Temporary operating temperature max. 160 °C.

**Assembly:**

From the rear.



Order No.	Component material	A	B	B1	D	H	L	T	Load capacity N
06901-01-21000621	steel	100	21	13	M6	50	113	9	500
06901-01-21200621	steel	120	21	13	M6	50	133	9	500
06901-01-21280621	steel	128	21	13	M6	50	141	9	500
06901-01-21600825	steel	160	25	17	M8	55	177	12	500
06901-01-31000621	stainless steel	100	21	13	M6	50	113	9	500
06901-01-31200621	stainless steel	120	21	13	M6	50	133	9	500
06901-01-31280621	stainless steel	128	21	13	M6	50	141	9	500
06901-01-31600825	stainless steel	160	25	17	M8	55	177	12	500