

## Pull handles

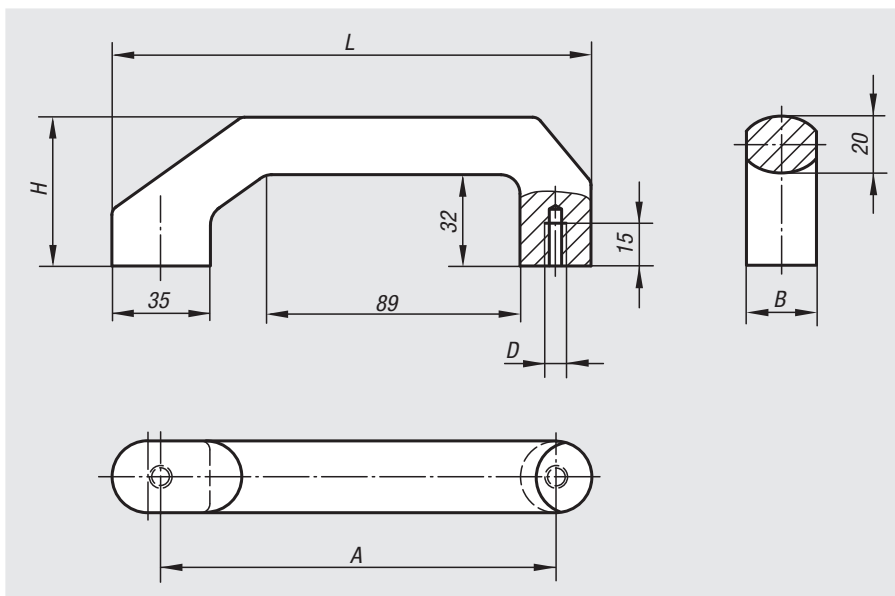


**Material:**  
Die-cast aluminium EN AW-5754.

**Version:**  
Surface tumbled and black powder-coated or left bright.

**Sample order:**  
nlm 06900-140066

**Assembly:**  
From the rear.



Order No.	Main colour	A	B	D	H	L	Load capacity N
06900-140066	black	140	25	M6	57	170	1000
06900-140067	bright	140	25	M6	57	170	1000

## Pull handles

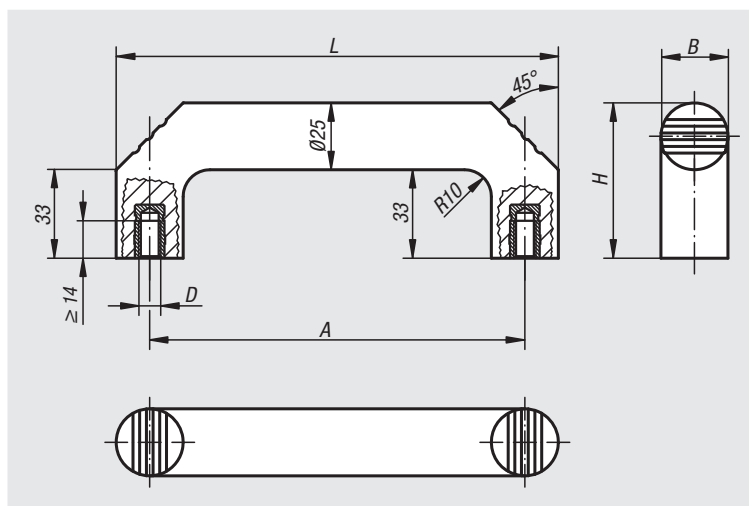


**Material:**  
Thermoset PF 31, black.  
Bushes brass or electro zinc-plated steel.

**Version:**  
High-gloss polished.

**Sample order:**  
nlm 06901-114008

**Assembly:**  
From the rear.



Order No.	Component material	A	B	D	H	L	Load capacity N
06901-114008	brass	140	25	M8	58	165	500
06901-214008	steel	140	25	M8	58	165	500