

Pull handles

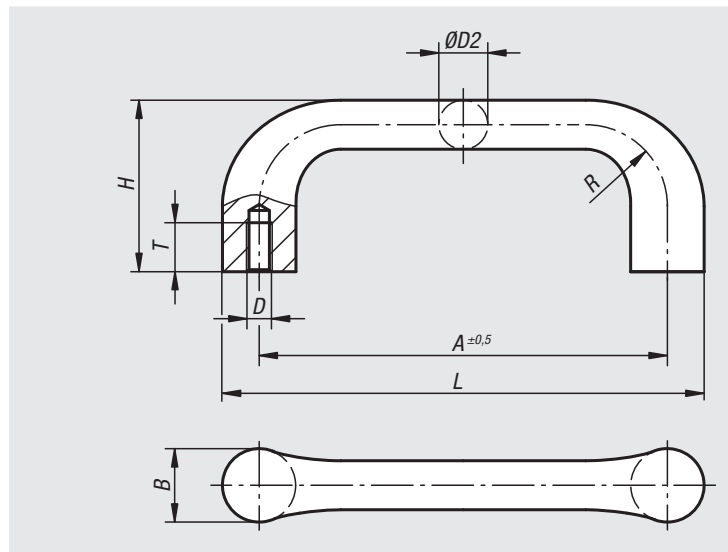


Material:
GJS 400

Version:
Vibratory ground or black powder-coated.
End faces machined.

Sample order:
nlm 06895-12510

Assembly:
From the rear.



Order No. bright	Order No. black	A	B	D	D2	H	L	R	T	Load capacity N
06895-10006	06895-100061	100	18	M6	12	42	118	20	12	1000
06895-11208	06895-112081	112	20	M8	14	47	132	22	15	1000
06895-12510	06895-125101	125	22	M10	16	53	147	24	18	1000
06895-14012	06895-140121	140	25	M12	18	59	165	26	20	1000

Pull handles

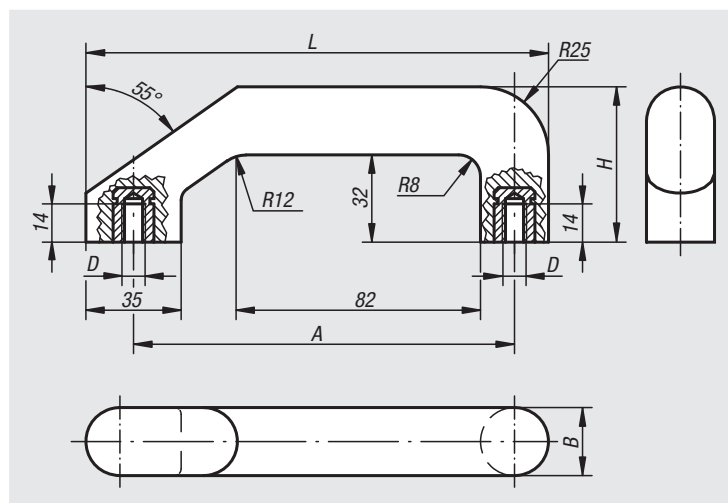


Material:
Thermoset PF 31, black.
Bushes brass or electro zinc-plated steel.

Version:
High-gloss polished.

Sample order:
nlm 06900-101

Assembly:
From the rear.



Order No.	Component material	A	B	D	H	L	Load capacity N
06900-101	brass	140	25	M8	57	170	300
06900-201	steel	140	25	M8	57	170	300