

Five lobe grips



Material:

Grip black grey thermoplastic.

Bush steel or brass.

Screw 5.8 steel.

Version:

Steel bush electro zinc-plated.

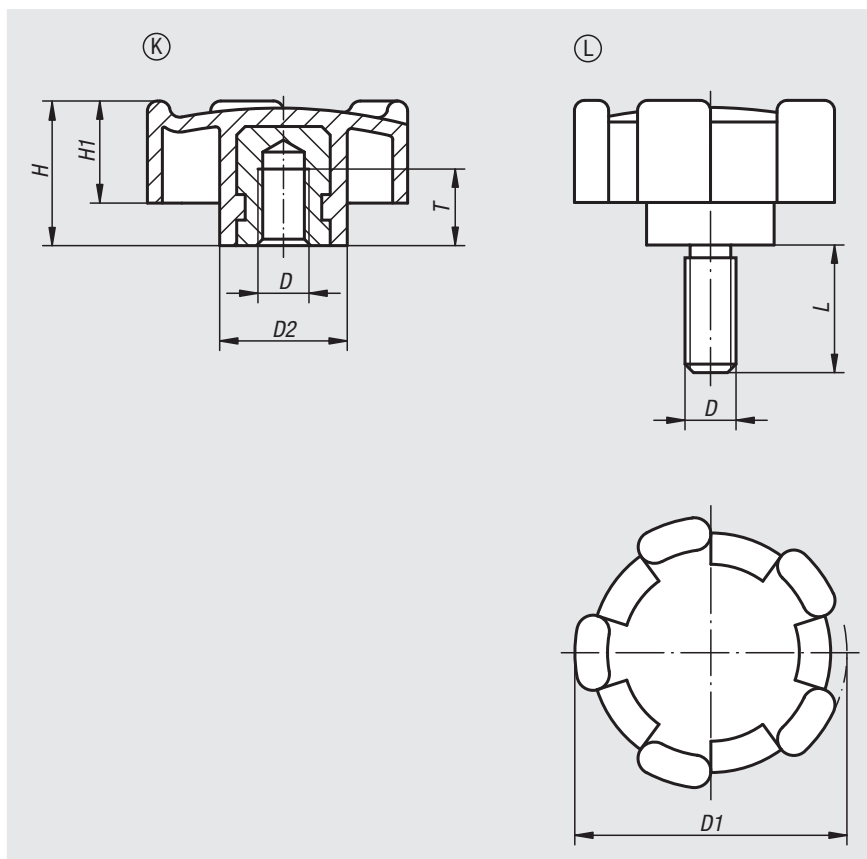
Screw trivalent blue passivated.

Sample order:

nIm 06853-3206

Note:

The version 06853-3206 has a brass bush.



Five lobe grips with internal thread

Order No.	Form	D	D1	D2	H	H1	T
06853-3206	K	M6	32	15	17	12	9
06853-4008	K	M8	40	18	20,5	14,5	11
06853-5010	K	M10	50	20	25	18	14

Five lobe grips with external thread

Order No.	Form	D	D1	D2	H	H1	L
06853-320615	L	M6	32	15	17	12	15
06853-400816	L	M8	40	18	20,5	14,5	16
06853-501020	L	M10	50	20	25	18	20