

## Five lobe grips

with internal thread



### Material:

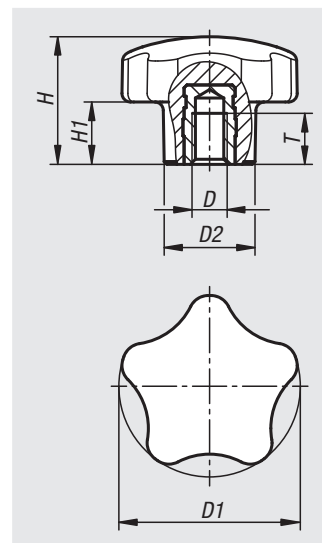
Thermoset PF 31.  
Steel or stainless steel.

### Version:

Thermoset black, high-gloss polished.  
Trivalent blue passivated steel or bright stainless steel.

### Sample order:

nIm 06851-3205



Order No. steel	Order No. stainless steel	D	D1	D2	H	H1	T
06851-3205	06851-13205	M5	32	16	22,5	11	7,5
06851-3206	06851-13206	M6	32	16	22,5	11	9
06851-4006	06851-14006	M6	40	20	28	14	9
06851-4008	06851-14008	M8	40	20	28	14	12
06851-4010	06851-14010	M10	40	20	28	14	15
06851-5008	06851-15008	M8	50	25	35	17,5	12
06851-5010	06851-15010	M10	50	25	35	17,5	15
06851-6012	06851-16012	M12	60	30	37	18,5	18