

# Five lobe grips

with external thread



### Material:

Thermoset PF 31.  
Steel or stainless steel.

### Version:

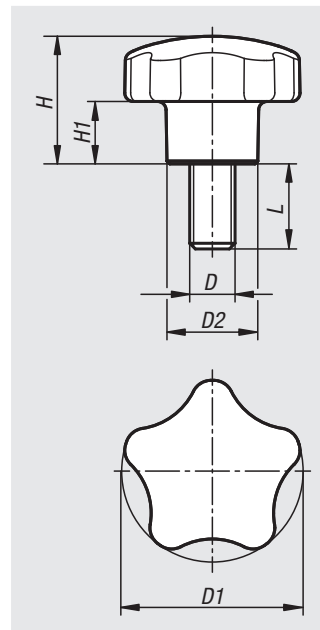
Thermoset black, high-gloss polished.  
Trivalent blue passivated steel or bright stainless steel.

### Sample order:

nIm 06851-01-3206X10 (include length L)

### On request:

Other screw lengths.



Order No. steel	Order No. stainless steel	D	D1	D2	H	H1	L
06851-01-3206X	06851-01-13206X	M6	32	16	22,5	11	10/15/20/35
06851-01-3208X	06851-01-13208X	M8	32	16	22,5	11	15/25
06851-01-4006X	06851-01-14006X	M6	40	20	28	14	15
06851-01-4008X	06851-01-14008X	M8	40	20	28	14	15/20/25/30/35/45
06851-01-4010X	06851-01-14010X	M10	40	20	28	14	30
06851-01-5008X	06851-01-15008X	M8	50	25	35	17,5	15/25
06851-01-5010X	06851-01-15010X	M10	50	25	35	17,5	20/30/40/50
06851-01-6012X	06851-01-16012X	M12	60	30	37	18,5	30/40/50