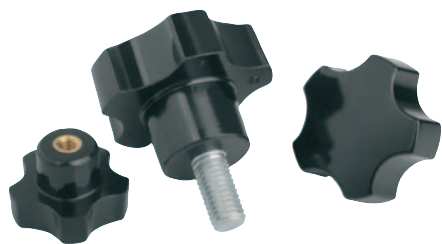


Five lobe grips


Material:

Thermoset PF 31, black.
Steel bush and stud, electro zinc-plated.

Version:

High-gloss polished.

Sample order:

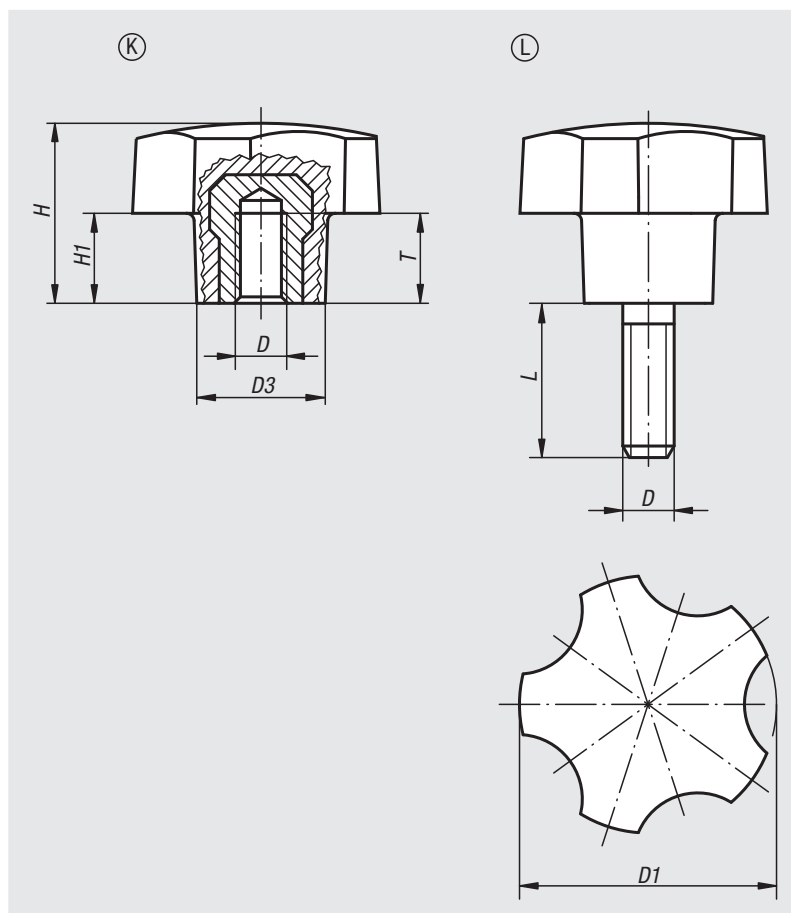
nIm 06850-3206X12 (include length L)

Note:

The versions 06850-3205 and 06850-3206 have a brass bush.

On request:

Other screw sizes, screw lengths and colours.



Five lobe grips with internal thread

Order No.	Form	D	D1	D3	H	H1	T
06850-3205	K	M5	32	16	22,4	11,2	10
06850-3206	K	M6	32	16	22,4	11,2	9
06850-4006	K	M6	40	20	28	14	12
06850-4008	K	M8	40	20	28	14	14
06850-4010	K	M10	40	20	28	14	14
06850-5008	K	M8	50	25	35	17,5	14
06850-5010	K	M10	50	25	35	17,5	14

Five lobe grips with external thread

Order No.	Form	D	D1	D3	H	H1	L
06850-3206X	L	M6	32	16	22,4	11,2	12/18
06850-3208X	L	M8	32	16	22,4	11,2	16/24
06850-4006X	L	M6	40	20	28	14	18
06850-4008X	L	M8	40	20	28	14	16/20/24
06850-4010X	L	M10	40	20	28	14	30
06850-5008X	L	M8	50	25	35	17,5	16/24
06850-5010X	L	M10	50	25	35	17,5	20/30