

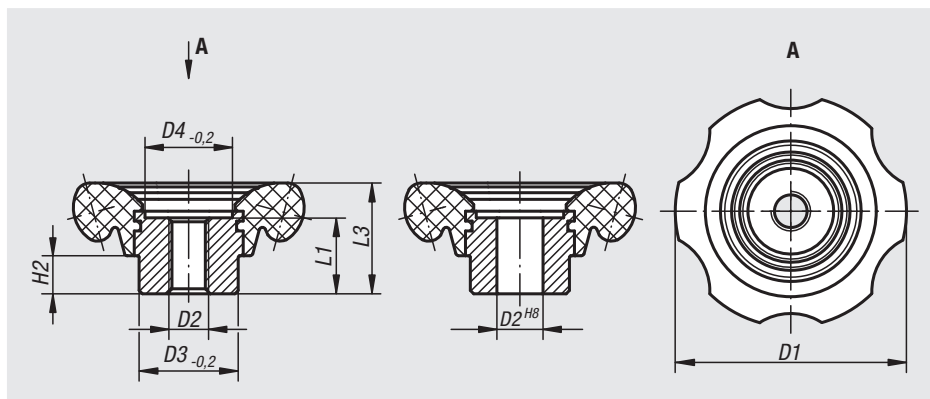
Handwheels



Material:
Handwheel thermoset PF 31.
Bush steel, black oxidised.

Version:
High-gloss polished, black.

Sample order:
nlm 06830-70112



Order No.	Version 1	D1	D2	D3	D4	H2	L1	L3
06830-70110	internal thread	70	M10	30	26,5	11,5	23	33,5
06830-70112	internal thread	70	M12	30	26,5	11,5	23	33,5
06830-83112	internal thread	83	M12	35	31,5	14	28	40
06830-83116	internal thread	83	M16	35	31,5	14	28	40
06830-70212	reamed hole	70	12H8	30	26,5	11,5	23	33,5
06830-70214	reamed hole	70	14H8	30	26,5	11,5	23	33,5
06830-83214	reamed hole	83	14H8	35	31,5	14	28	40
06830-83216	reamed hole	83	16H8	35	31,5	14	28	40

