

Triangular grips



Material:

Grip glass-bead reinforced thermoplastic.
Cap thermoplastic.
Steel parts grade 5.8.

Version:

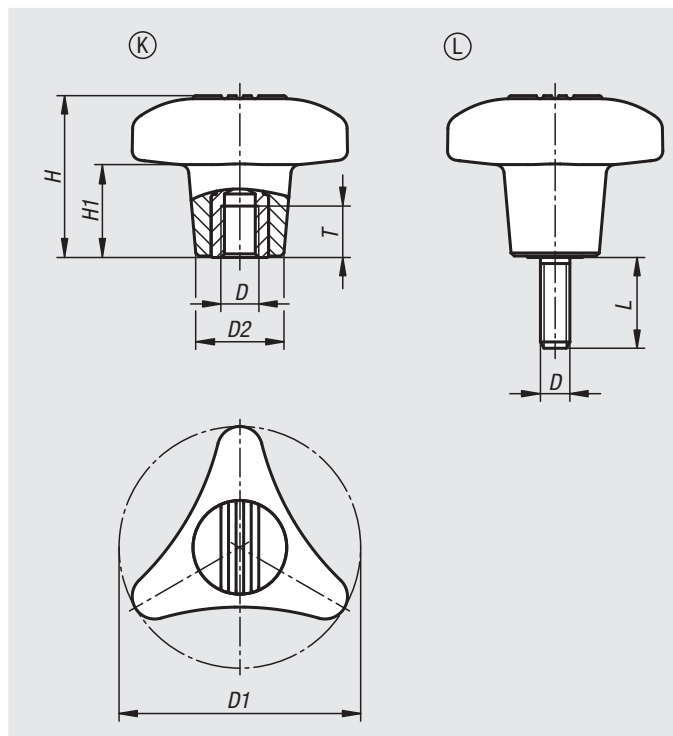
Grip and cap black grey (RAL 7021).
Steel parts blue-passivated.

Sample order:

nIm 06699-18010X15 (include length L)

On request:

Other screw lengths and colours.
Metal parts stainless steel.



Triangular grips with internal thread

Order No.	Form	D	D1	D2	H	H1	T
06699-18008	K	M8	80	29,2	53,5	31	17
06699-18010	K	M10	80	29,2	53,5	31	17
06699-18012	K	M12	80	29,2	53,5	31	17

Triangular grips with external thread

Order No.	Form	D	D1	D2	H	H1	L
06699-18008X	L	M8	80	29,2	53,5	31	15/20/30/40/50
06699-18010X	L	M10	80	29,2	53,5	31	15/20/30/40/50
06699-18012X	L	M12	80	29,2	53,5	31	15/20/30/40/50