

Grip nuts

**Material:**

Thermoplastic black.

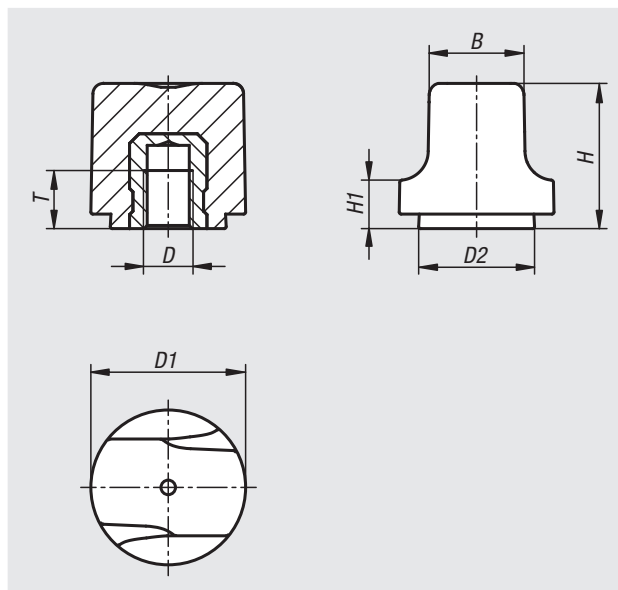
Bush steel, stainless steel or brass.

Version:

Bush blue passivated steel, stainless steel and brass bright.

Sample order:

nlm 06666-103



Order No.	Component material	B	D	D1	D2	H	H1	T
06666-103	brass	10	M3	16	12	15	5	4,5
06666-104	brass	10	M4	16	12	15	5	6
06666-204	brass	12,3	M4	20	15	18,5	6	6
06666-205	brass	12,3	M5	20	15	18,5	6	6
06666-305	steel	15,3	M5	25	18,7	22,9	7,3	8,5
06666-306	steel	15,3	M6	25	18,7	22,9	7,3	9
06666-1003	stainless steel	10	M3	16	12	15	5	4,5
06666-1004	stainless steel	10	M4	16	12	15	5	6
06666-2004	stainless steel	12,3	M4	20	15	18,5	6	6
06666-2005	stainless steel	12,3	M5	20	15	18,5	6	6
06666-3005	stainless steel	15,3	M5	25	18,7	22,9	7,3	8,5
06666-3006	stainless steel	15,3	M6	25	18,7	22,9	7,3	9

Grip screws

**Material:**

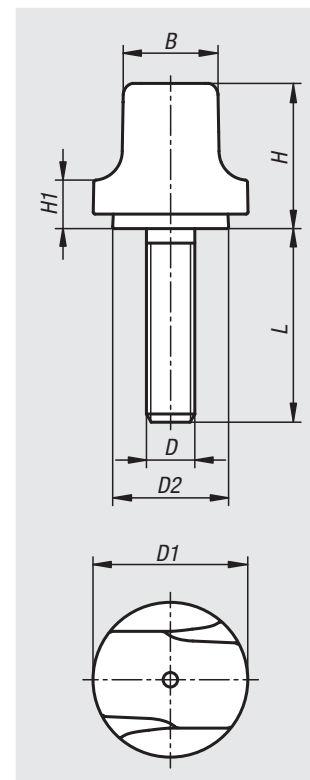
Thermoplastic black. Screw steel or stainless steel.

Version:

Screw blue passivated steel or bright stainless steel.

Sample order:

nIm 06666-103X8 (include length L)



Order No. steel	Order No. stainless steel	B	D	D1	D2	H	H1	L
06666-103X	06666-1003X	10	M3	16	12	15	5	8/10/12/15
06666-104X	06666-1004X	10	M4	16	12	15	5	10/15/20
06666-105X	06666-1005X	10	M5	16	12	15	5	10/15/20
06666-204X	06666-2004X	12,3	M4	20	15	18,5	6	10/15/20
06666-205X	06666-2005X	12,3	M5	20	15	18,5	6	10/15/20/25
06666-206X	06666-2006X	12,3	M6	20	15	18,5	6	10/15/20/25
06666-305X	06666-3005X	15,3	M5	25	18,7	22,9	7,3	10/15/20/25
06666-306X	06666-3006X	15,3	M6	25	18,7	22,9	7,3	10/15/20/25
06666-308X	06666-3008X	15,3	M8	25	18,7	22,9	7,3	15/20/25/30