

Wing grips



Material:

Grip black thermoplastic.
Bush and screw steel 5.8 or stainless steel 1.4305.

Version:

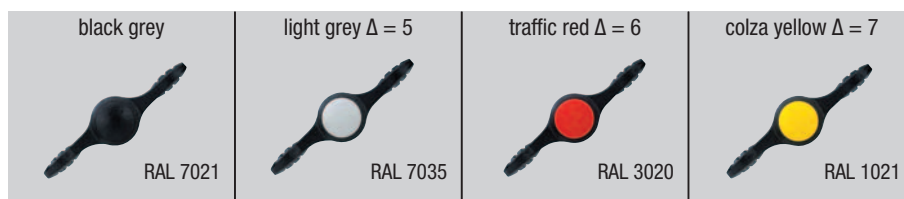
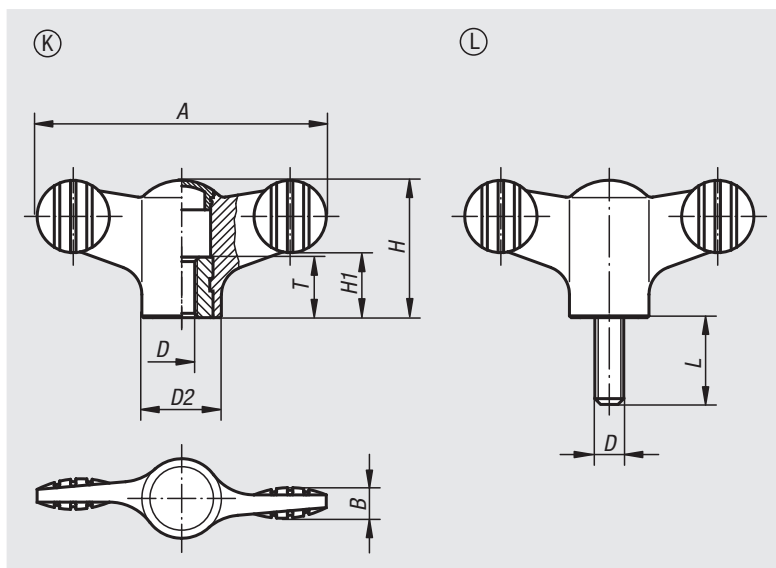
Bush or screw trivalent blue passivated steel or bright stainless steel.

Sample order:

nIm 06652-1057X20 (cap colour colza yellow; include length L)

Note:

Δ Add the desired cap colour here.
No colour code is required for black grey caps.



Wing grips with internal thread

Order No. steel	Order No. stainless steel	A	B	D	D2	H	H1	T
06652-904Δ	06652-0904Δ	38	4,5	M4	12	18	8,5	10
06652-905Δ	06652-0905Δ	38	4,5	M5	12	18	8,5	10
06652-906Δ	06652-0906Δ	38	4,5	M6	12	18	8,5	10
06652-105Δ	06652-0105Δ	50	5	M5	14	24	11,5	10
06652-106Δ	06652-0106Δ	50	5	M6	14	24	11,5	10
06652-208Δ	06652-0208Δ	75	7	M8	21	35,6	16,5	14
06652-210Δ	06652-0210Δ	75	7	M10	21	35,6	16,5	14

Wing grips with external thread

Order No. steel	Order No. stainless steel	A	B	D	D2	H	H1	L
06652-904ΔX	06652-0904ΔX	38	4,5	M4	12	18	8,5	10/15
06652-905ΔX	06652-0905ΔX	38	4,5	M5	12	18	8,5	15/20/30
06652-906ΔX	06652-0906ΔX	38	4,5	M6	12	18	8,5	20/30/40
06652-105ΔX	06652-0105ΔX	50	5	M5	14	24	11,5	15/20
06652-106ΔX	06652-0106ΔX	50	5	M6	14	24	11,5	20/30/40
06652-108ΔX	06652-0108ΔX	50	5	M8	14	24	11,5	20/30/40
06652-208ΔX	06652-0208ΔX	75	7	M8	21	35,6	16,5	20/30/40
06652-210ΔX	06652-0210ΔX	75	7	M10	21	35,6	16,5	20/30/40/50

Wing grips

with tapped through bush



Material:

Grip thermoplastic.

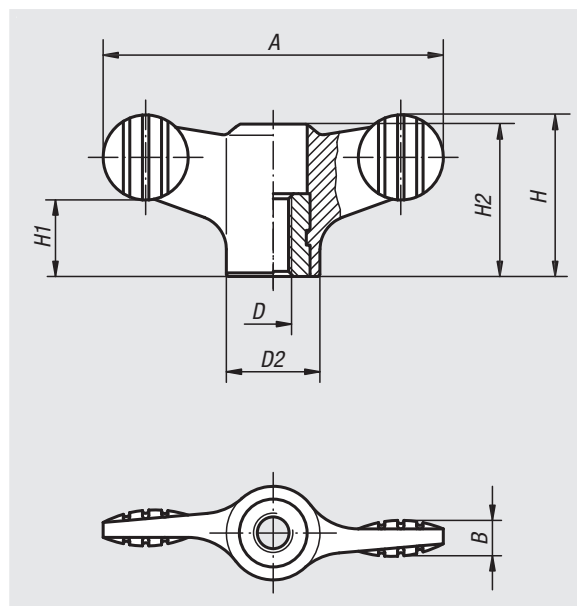
Bush steel 5.8 or stainless steel 1.4305.

Version:

Steel trivalent blue passivated, stainless steel bright.

Sample order:

nIm 06652-1904



Order No.	Component material	A	B	D	D2	H	H1	H2
06652-1904	steel	38	4,5	M4	12	18	8,5	16,1
06652-1905	steel	38	4,5	M5	12	18	8,5	16,1
06652-1906	steel	38	4,5	M6	12	18	8,5	16,1
06652-1105	steel	50	5	M5	14	24	11,5	22
06652-1106	steel	50	5	M6	14	24	11,5	22
06652-1208	steel	75	7	M8	21	35,6	17	33,3
06652-1210	steel	75	7	M10	21	35,6	17	33,3
06652-10904	stainless steel	38	4,5	M4	12	18	8,5	16,1
06652-10905	stainless steel	38	4,5	M5	12	18	8,5	16,1
06652-10906	stainless steel	38	4,5	M6	12	18	8,5	16,1
06652-10105	stainless steel	50	5	M5	14	24	11,5	22
06652-10106	stainless steel	50	5	M6	14	24	11,5	22
06652-10208	stainless steel	75	7	M8	21	35,6	17	33,3
06652-10210	stainless steel	75	7	M10	21	35,6	17	33,3

Wing grips antistatic



Material:

Thermoplastic, graphite black.
Bush or screw steel 5.8.

Version:

Screw blue passivated.

Sample order:

nIm 06652-1110624X20

Application:

Sensitive electrical or electronic equipment, components and devices (ESD sensitive elements) may be damaged or destroyed by electrostatic discharges (ESD) in the immediate vicinity.

Electrostatic discharges can come from people or through handling ESD sensitive components (e.g. during production, assembly, transport, storage etc).

Electrically conductive products which conform to DIN EN 61340-5-1 are essential within electronic environments to prevent an electrostatic discharge.

These products can be used for ESD applications or in ESD protection areas (EPA) in accordance with DIN EN 61340-5-1.

Safety:

These ESD products can also be used for devices, components and protection systems in areas with high risk of explosion.

Use of these ESD products prevents the occurrence of electrostatic spark discharges, eliminating the potential ignition of gases and dusts which could lead to explosions in enclosed spaces.

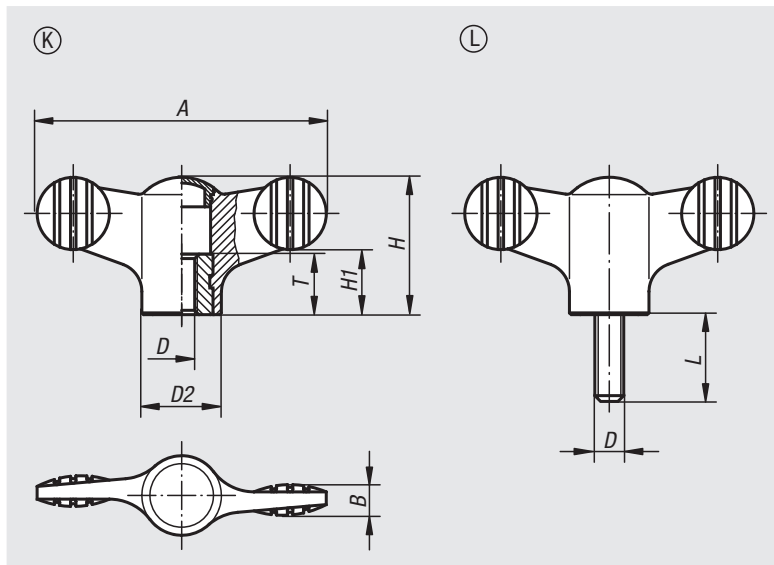
Manufacturers and operators must use and conform to ATEX directives for the protection of persons working in areas with high risk of explosion.

These ESD products are certified by TÜV-Süd in relation to their electrical discharge capability.

Target groups:

Device manufacturers required to conform to ATEX product directive 2014/34/EU.

Operators required to conform to ATEX worker protection directive 1999/92/EC.



Wing grips antistatic with internal thread

Order No.	Form	A	B	D	D2	H	H1	T
06652-1110624	K	50	5	M6	14	24	11,5	10

Wing grips antistatic with external thread

Order No.	Form	A	B	D	D2	H	H1	L
06652-1110624X20	L	50	5	M6	14	24	11,5	20

Wing grips "Miniwing"


Material:

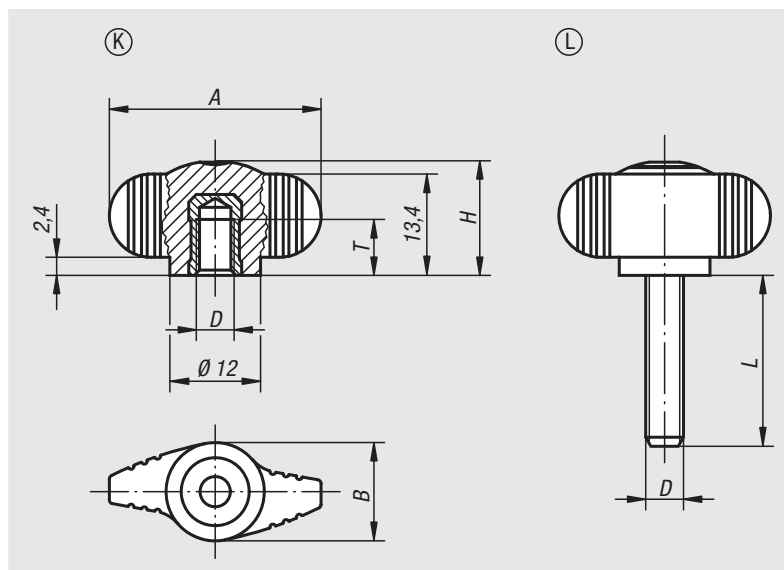
Grip black grey thermoplastic.
 Bush brass or stainless steel 1.4305.
 Screw steel 5.8 or stainless steel 1.4305.

Version:

Steel trivalent blue passivated.
 Stainless steel, bright.

Sample order:

nIm 06652-005X10 (include length L)



Wing grips "Miniwing" with internal thread

Order No.	Form	Component material	A	B	D	H	T
06652-004	K	brass	28	13	M4	15	6
06652-005	K	brass	28	13	M5	15	7,5
06652-006	K	brass	28	13	M6	15	9
06652-0004	K	stainless steel	28	13	M4	15	6
06652-0005	K	stainless steel	28	13	M5	15	7,5
06652-0006	K	stainless steel	28	13	M6	15	9

Wing grips "Miniwing" with external thread

Order No. steel	Order No. stainless steel	Form	A	B	D	H	L
06652-004X	06652-0004X	L	28	13	M4	15	8
06652-005X	06652-0005X	L	28	13	M5	15	10/15/20
06652-006X	06652-0006X	L	28	13	M6	15	10/15/20/25/30
06652-008X	06652-0008X	L	28	13	M8	15	20/25/30/40

Wing grips "Miniwing"

with tapped through bush



Material:

Grip thermoplastic.

Bush steel 5.8 or stainless steel 1.4305.

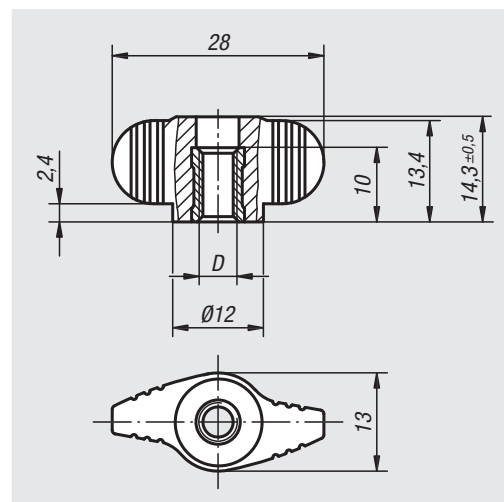
Version:

Steel trivalent blue passivated.

Stainless steel, bright.

Sample order:

nIm 06652-1004



Order No.	Component material	D
06652-1004	steel	M4
06652-1005	steel	M5
06652-1006	steel	M6
06652-10004	stainless steel	M4
06652-10005	stainless steel	M5
06652-10006	stainless steel	M6

Wing grips "Miniwing" antistatic



Material:

Thermoplastic, graphite black.
Bushes steel or threaded pins steel 5.8.

Version:

Screw blue passivated.

Sample order:

nIm 06652-1100624X15

Application:

Sensitive electrical or electronic equipment, components and devices (ESD sensitive elements) may be damaged or destroyed by electrostatic discharges (ESD) in the immediate vicinity.

Electrostatic discharges can come from people or through handling ESD sensitive components (e.g. during production, assembly, transport, storage etc).

Electrically conductive products which conform to DIN EN 61340-5-1 are essential within electronic environments to prevent an electrostatic discharge.

These products can be used for ESD applications or in ESD protection areas (EPA) in accordance with DIN EN 61340-5-1.

Safety:

These ESD products can also be used for devices, components and protection systems in areas with high risk of explosion.

Use of these ESD products prevents the occurrence of electrostatic spark discharges, eliminating the potential ignition of gases and dusts which could lead to explosions in enclosed spaces.

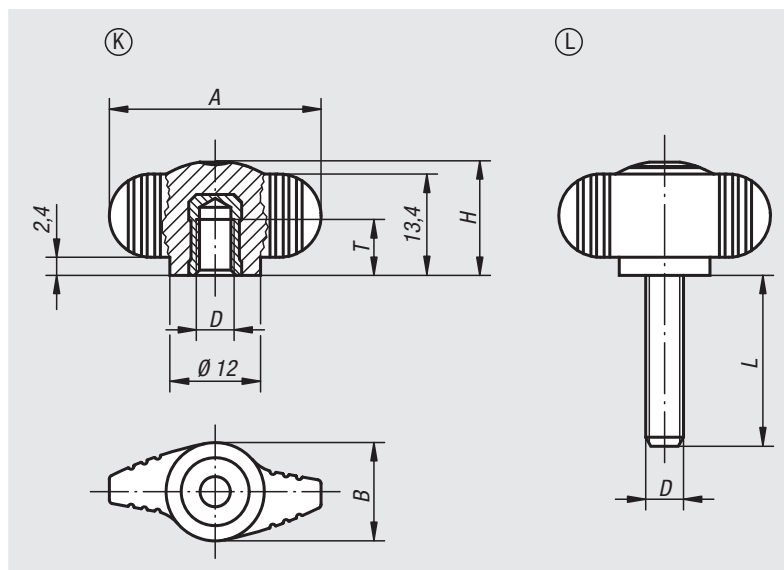
Manufacturers and operators must use and conform to ATEX directives for the protection of persons working in areas with high risk of explosion.

These ESD products are certified by TÜV-Süd in relation to their electrical discharge capability.

Target groups:

Device manufacturers required to conform to ATEX product directive 2014/34/EU.

Operators required to conform to ATEX worker protection directive 1999/92/EC.



Wing grips "Miniwing" antistatic with internal thread

Order No.	A	B	D	H	T
06652-1100624	28	13	M6	15	9

Wing grips "Miniwing" antistatic with external thread

Order No.	A	B	D	H	L
06652-1100624X15	28	13	M6	15	15