

# Wing nuts narrow

in Hygienic DESIGN


**Material:**

Stainless steel 1.4404.

**Version:**

Polished.

**Sample order:**

nIm 06651-03-04

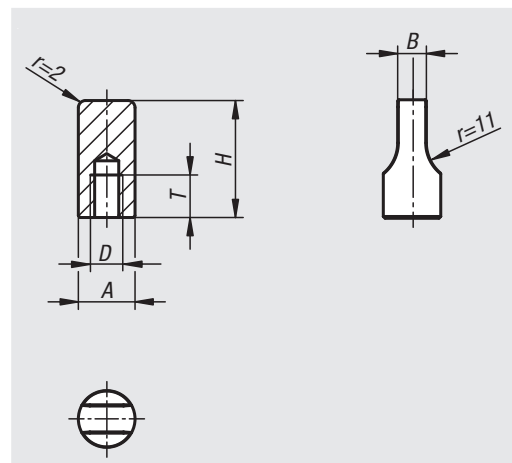
**Note:**

The wing nut makes simple screw connections feasible. They can be easily opened or re-tightened without tools.

The complete surface is polished with a surface finish of less than  $Ra\ 0.8\ \mu\text{m}$ . The contour is rounded with smooth transitions. Due to the polished surface dirt and residue from products or cleaners seldom adheres. Easy cleaning is ensured.

**On request:**

Inch threads, external threads.



## Wing nuts narrow in Hygienic DESIGN

Order No.	A	B	D	H	T
06651-03-04	9	4,5	M4	20	6
06651-03-05	10	4,5	M5	22	6
06651-03-06	12	5,5	M6	22	7
06651-03-08	16	8	M8	25	9
06651-03-10	20	10	M10	30	11