

## T-grips

**Material:**

Thermoset PF 31, black.  
Steel bush and stud, electro zinc-plated.

**Version:**

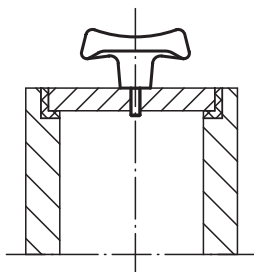
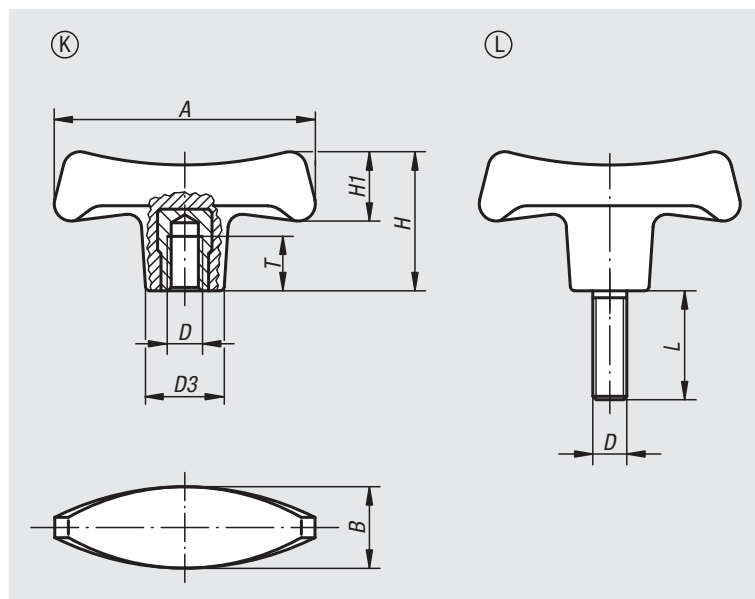
High-gloss polished.

**Sample order:**

nIm 06650-27006X18 (include length L)

**On request:**

Other screw sizes, screw lengths and colours.



Order No.	Form	A	B	D	D3	H	H1	T
06650-17006	K	70	22	M6	19,6	38,8	20,2	12
06650-17008	K	70	22	M8	19,6	38,8	20,2	14
06650-17010	K	70	22	M10	19,6	38,8	20,2	14
06650-18008	K	80	25	M8	22,3	44	23	14
06650-18010	K	80	25	M10	22,3	44	23	22
06650-19010	K	90	28	M10	25	49,6	26	22
06650-19012	K	90	28	M12	25	49,6	26	21

Order No.	Form	A	B	D	D3	H	H1	L
06650-27006X	L	70	22	M6	19,6	38,8	20,2	18
06650-27008X	L	70	22	M8	19,6	38,8	20,2	24
06650-28010X	L	80	25	M10	22,3	44	23	20/30
06650-29010X	L	90	28	M10	25	49,6	26	30
06650-29012X	L	90	28	M12	25	49,6	26	24