

T-grips

**Material:**

Fibreglass reinforced thermoplastic.

Tapped bush brass.

Screw steel.

Version:

Grip, black.

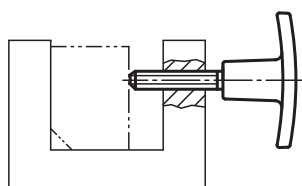
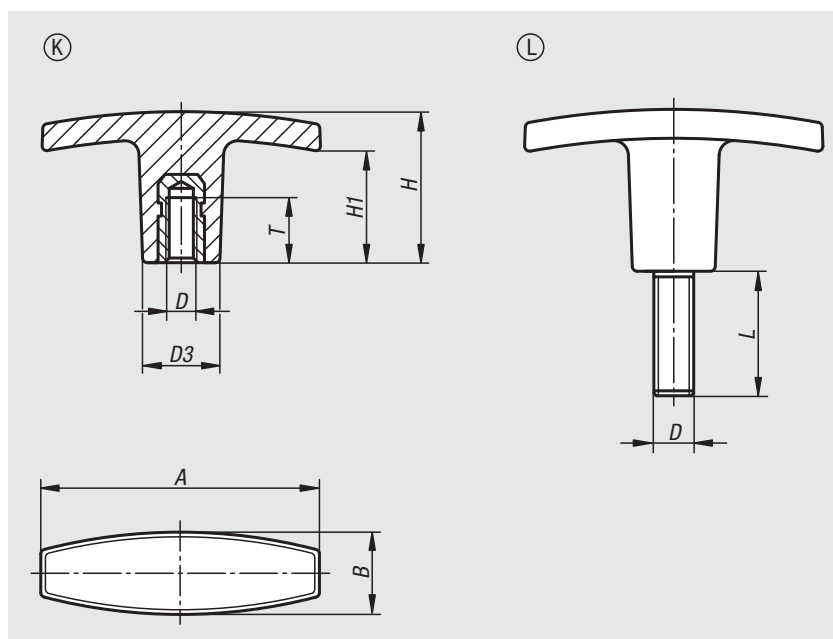
Screw electro zinc-plated.

Sample order:

nlm 06649-25005X15 (include length L)

On request:

Grip colour red, yellow, green, blue, white or grey (min. quantity 1000).



Order No.	Form	A	B	D	D3	H	H1	T
06649-14005	K	40	13	M5	13	30,5	20	10
06649-15005	K	50	15	M5	14	24	16	10
06649-16006	K	60	17	M6	16	31,5	23	12
06649-17108	K	71	19,5	M8	20	36	19	20
06649-17110	K	71	19,5	M10	20	36	19	20
06649-18010	K	80	26	M10	26	39,5	26	25
06649-18012	K	80	26	M12	26	39,5	26	25

Order No.	Form	A	B	D	D3	H	H1	L
06649-24005X	L	40	13	M5	13	30,5	20	15
06649-25005X	L	50	15	M5	14	24	16	15/20
06649-26006X	L	60	17	M6	16	31,5	23	20/25
06649-27108X	L	71	19,5	M8	20	36	19	20/30
06649-27110X	L	71	19,5	M10	20	36	19	20/30
06649-28010X	L	80	26	M10	26	39,5	26	30
06649-28012X	L	80	26	M12	26	39,5	26	40