

T-grips

stainless steel


Material:

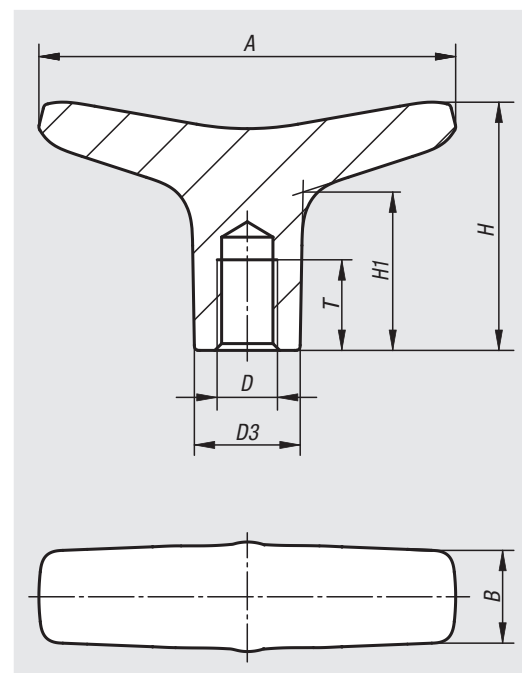
Stainless steel 1.4308.

Version:

Electropolished or blasted.

Sample order:

nIm 06648-55061



Order No.	Surface finish body	A	B	D	D3	H	H1	T
06648-55061	blasted	55,2	12,3	M6	14	32,9	21	12
06648-55081	blasted	55,2	12,3	M8	14	32,9	21	12
06648-65061	blasted	65,3	14	M6	16	37	22,7	16
06648-65081	blasted	65,3	14	M8	16	37	22,7	16
06648-65101	blasted	65,3	14	M10	16	37	22,7	16
06648-75101	blasted	75,3	17,8	M10	20	41,2	24,9	16
06648-75121	blasted	75,3	17,8	M12	20	41,2	24,9	16
06648-55062	electropolished	55,2	12,3	M6	14	32,9	21	12
06648-55082	electropolished	55,2	12,3	M8	14	32,9	21	12
06648-65062	electropolished	65,3	14	M6	16	37	22,7	16
06648-65082	electropolished	65,3	14	M8	16	37	22,7	16
06648-65102	electropolished	65,3	14	M10	16	37	22,7	16
06648-75102	electropolished	75,3	17,8	M10	20	41,2	24,9	16
06648-75122	electropolished	75,3	17,8	M12	20	41,2	24,9	16