

Clamping joints

individually adjustable



Material:

Wing grip:
grip black grey thermoplastic.
Screw steel 5.8.
Remaining components:
high-strength aluminium.

Version:

Steel parts trivalent blue-passivated.
Aluminium nickel silver anodised.

Sample order:

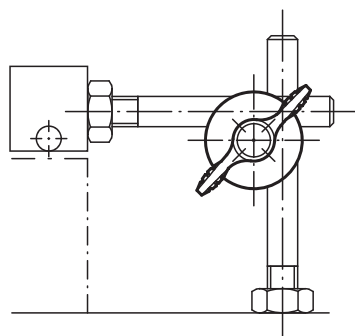
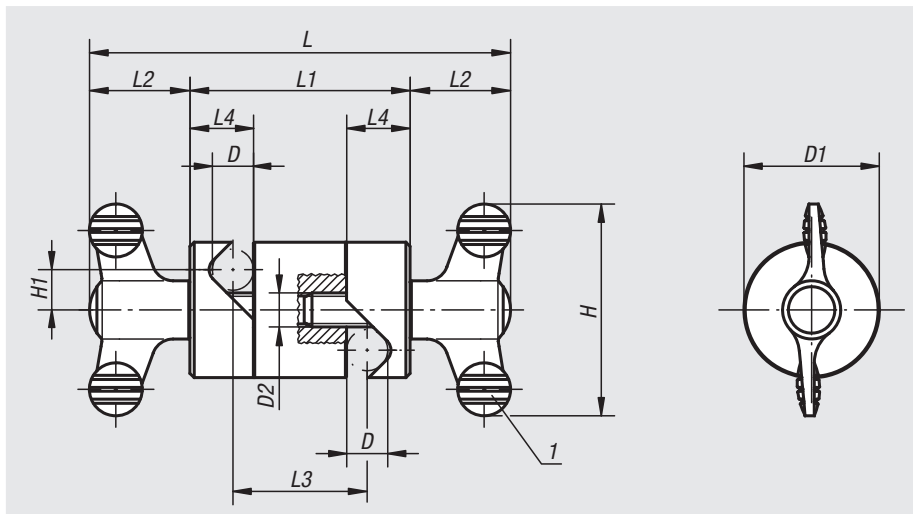
nIm 06621-02

Note:

Clamping joints are used to clamp round cross sections (bars, tubes, etc.) and are individually and infinitely adjustable.
The simple design together with the wing grip permits rapid clamping.

Drawing reference:

1) wing grip



Order No.	D	D1	D2	H	H1	L	L1	L2	L3	L4
06621-01	8	28	M8	50	8,5	90	42	24	24	13
06621-02	10	32	M8	50	9,5	100	52	24	32	15
06621-03	12	36	M8	50	10,5	104	56	24	34	17
06621-04	16	45	M10	75	13,5	143,2	72	35,6	44	22
06621-05	20	74	M10	75	22	173,2	102	35,6	62	30