

# Clamping levers, plastic with safety function

with male thread



Clamping levers with safety function prevent changes in the locking point through accidental opening or closing. In the default position, the lever can be freely rotated and has no connection to the clamping point. The grip lever only engages when pushed down and the clamp can be loosened or tightened. A spring sets the lever automatically into the default position when released.

#### Material:

Handle and insert reinforced plastic.  
Screw steel 5.8.

#### Version:

Steel trivalent blue passivated.

#### Sample order:

nIm 06613-11-2051X20 (include length L)

#### Advantages:

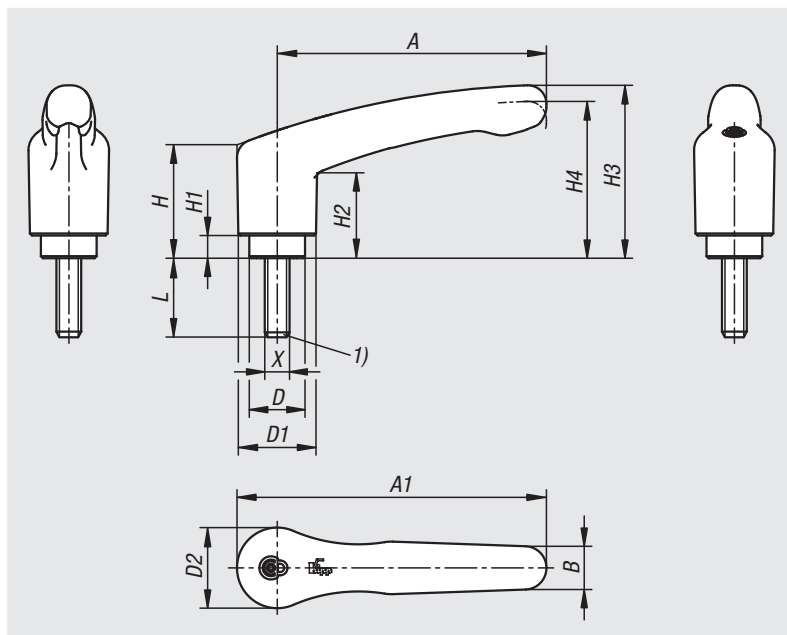
Protection against accidental opening or closing.  
Closed grip contour without protruding edges.

#### On request:

Special versions.

#### Drawing reference:

1) flat point DIN 78



press to  
engage  
(safety function)



Order No.	Main colour	X	D	D1	D2	H	H1	H2	H3	H4	A	A1	B	L	No. of teeth
06613-11-2051X	black grey RAL 7021	M5	13,5	18,8	19,5	27,4	5,5	20,7	41,9	38	65,2	75	10,5	10/20/30/40	12
06613-11-2061X	black grey RAL 7021	M6	13,5	18,8	19,5	27,4	5,5	20,7	41,9	38	65,2	75	10,5	10/20/30/40	12
06613-11-2081X	black grey RAL 7021	M8	13,5	18,8	19,5	27,4	5,5	20,7	41,9	38	65,2	75	10,5	10/20/30/40	12
06613-11-20584X	red RAL 3020	M5	13,5	18,8	19,5	27,4	5,5	20,7	41,9	38	65,2	75	10,5	10/20/30/40	12
06613-11-20684X	red RAL 3020	M6	13,5	18,8	19,5	27,4	5,5	20,7	41,9	38	65,2	75	10,5	10/20/30/40	12
06613-11-20884X	red RAL 3020	M8	13,5	18,8	19,5	27,4	5,5	20,7	41,9	38	65,2	75	10,5	10/20/30/40	12