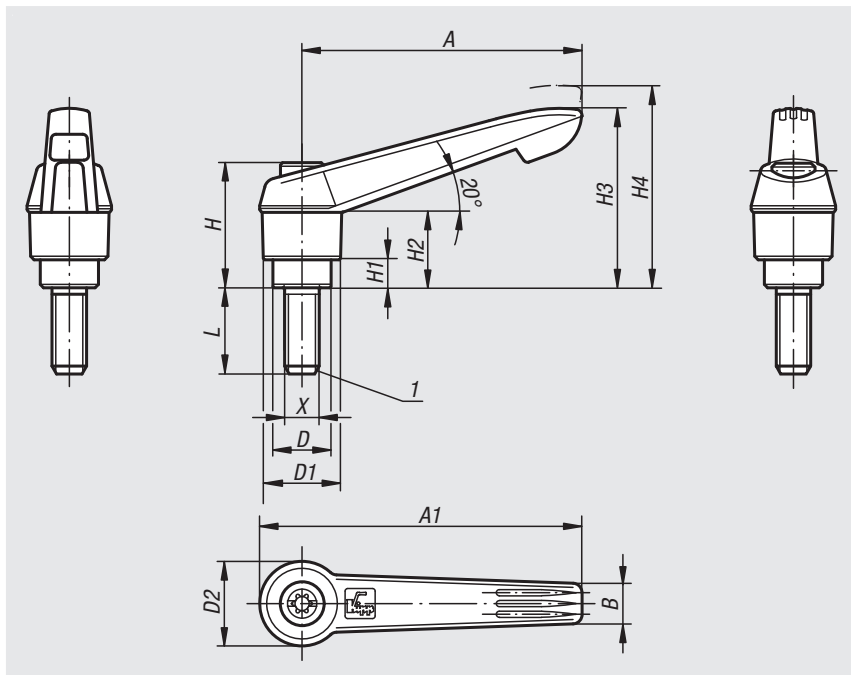


Clamping levers with plastic handle

external thread, metal parts stainless steel



Material:

Handle fibreglass reinforced plastic with die-cast zinc toothed ring.
Steel parts stainless steel 1.4305.

Version:

Stainless steel bright.

Sample order:

n1m 06611-1051X20 (lever black grey; include length L)

Note:

Δ Add the desired grip colour here.
Where L ≥ 60 mm the thread length is always 60 mm.

On request:

Other threads, screw lengths and special versions.
Dimension "H1" available in other lengths at extra charge.

Drawing reference:

1) flat point DIN 78

lift to disengage



Order No.	X	A	A1	B	D	D1	D2	H	H1	H2	H3	H4	No. of teeth	L
06611-105ΔX	M5	40	47	7,5	10	13	14,5	24,5	4	15	30	33,5	16	10/15/20/25
06611-106ΔX	M6	40	47	7,5	10	13	14,5	24,5	4	15	30	33,5	16	10/15/20/25/30/40/50
06611-206ΔX	M6	65	75	9,5	13,5	18	19,5	28,5	6,5	17,5	41,5	45,5	20	15/20/25/30/40/50/60
06611-208ΔX	M8	65	75	9,5	13,5	18	19,5	28,5	6,5	17,5	41,5	45,5	20	15/20/25/30/40/50/60
06611-210ΔX	M10	65	75	9,5	13,5	18	19,5	28,5	6,5	17,5	41,5	45,5	20	20/25/30/40/50/60
06611-308ΔX	M8	80	91,5	11	16	21,5	23	37	10	24	53,5	58	22	20/25/30/40/50/60
06611-310ΔX	M10	80	91,5	11	16	21,5	23	37	10	24	53,5	58	22	20/25/30/40/50/60
06611-412ΔX	M12	95	109	13	19	25,5	27,5	43	10	26	61	66	24	25/30/40/50/60
06611-516ΔX	M16	110	126	15,5	23	30	32,5	49	12	33	72	77	26	30/40/50/60

Clamping levers with push button

external thread, metal parts stainless steel



Material:

Handle fibreglass reinforced plastic, toothed ring die-cast zinc. Metal parts stainless steel 1.4305.

Push button plastic (POM).

Version:

Steel parts bright.

Sample order:

nIm 06611.71105X10

(clamping lever black grey, push button traffic red; include length L)

Note:

Δ Enter the desired lever colour here.

The standard colours are:

Black grey clamping lever, traffic red push button.

Orange clamping lever, black grey push button.

Traffic red clamping lever, black grey push button.

Where $L \geq 60$ mm the thread length is 60 mm.

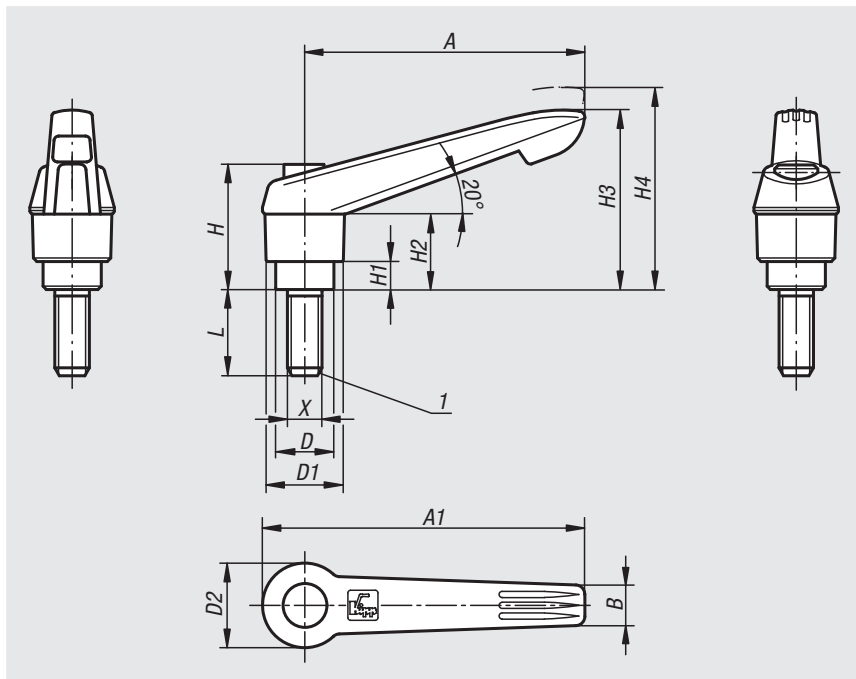
On request:

Other threads, screw lengths and special versions.

Dimension "H1" available in other lengths at extra charge.

Drawing reference:

1) flat point DIN 78



Order No.	X	A	A1	B	D	D1	D2	H	H1	H2	H3	H4	No. of teeth	L
06611-7Δ105X	M5	40	47	7,5	10	13	14,5	25,5	4	15	30	33,5	16	10/15/20/25
06611-7Δ106X	M6	40	47	7,5	10	13	14,5	25,5	4	15	30	33,5	16	10/15/20/25/30/40/50
06611-7Δ206X	M6	65	75	9,5	13,5	18	19,5	29,5	6,5	17,5	41,5	45,5	20	15/20/25/30/40/50/60
06611-7Δ208X	M8	65	75	9,5	13,5	18	19,5	29,5	6,5	17,5	41,5	45,5	20	15/20/25/30/40/50/60
06611-7Δ210X	M10	65	75	9,5	13,5	18	19,5	29,5	6,5	17,5	41,5	45,5	20	20/25/30/40/50/60
06611-7Δ308X	M8	80	91,5	11	16	21,5	23	38,5	10	24	53,5	58	22	20/25/30/40/50/60
06611-7Δ310X	M10	80	91,5	11	16	21,5	23	38,5	10	24	53,5	58	22	20/25/30/40/50/60
06611-7Δ412X	M12	95	109	13	19	25,5	27,5	44,6	10	26	61	66	24	25/30/40/50/60
06611-7Δ516X	M16	110	126	15,5	23	30	32,5	50,6	12	33	72	77	26	30/40/50/60

01000
02000
03000
04000
05000
06000
07000
08000
09000
10000
12000