



## Description

### Product description:

The clamping lever with extended collar replaces the screw on e.g. tube clamps. This enables tool-free tightening and loosening of the screw connection. The plastic clamping lever with its ergonomic handle design has a modern high-quality appearance and provides comfortable haptics.

### Material:

Grip lever, high performance fibreglass reinforced thermoplastic.  
Steel parts stainless steel 1.4305.

### Version:

Grip lever black grey RAL 7021.  
Steel parts bright.

### Note:

A recommendation for the suitable clamping lever is given in the tube clamp dimension tables.

### Temperature range:

Permanent temperature max. 100 °C.  
Brief use with temperatures up to 130 °C.

### Advantages:

Tool-free clamping and releasing of tube clamps  
High rigidity and strength  
Low weight  
Good chemical and corrosion resistance.

### On request:

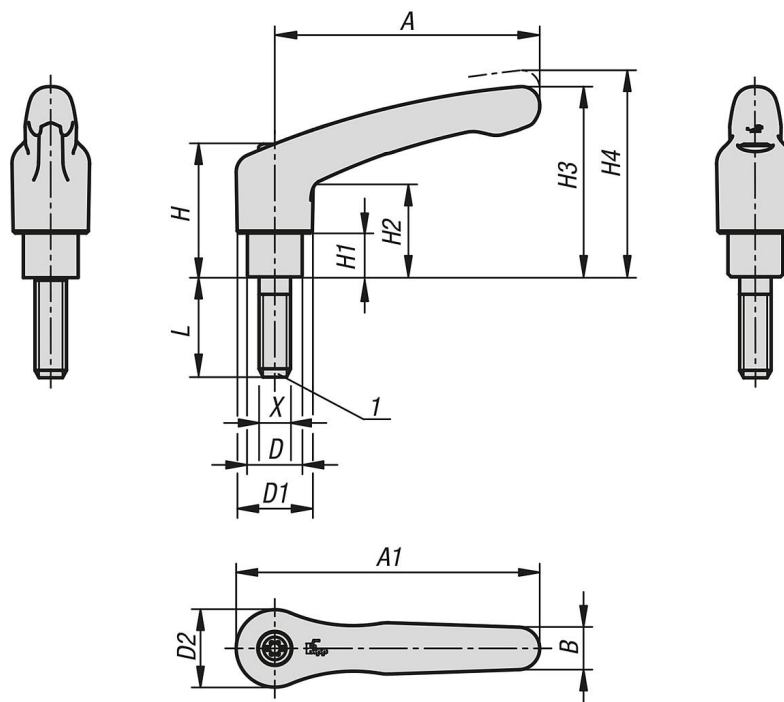
Other screw sizes, screw lengths, colours and special versions.  
Length "H1" optionally available in other lengths for an additional charge.  
High temperature black-grey plastic.  
Permanent operating temperature acc. to IEC 216 150 °C - 160 °C max.  
Brief use with temperatures up to 250 °C.  
Can be steam-sterilised (hydrolysis resistant) and is suitable for hot water applications

### Accessory:

For tube clamps

### Drawing reference:

1) DIN EN ISO 4753 flat point



Overview of items

Order No.	Size	A	A1	B	D	D1	D2	H1	H2	H3	H4	L	X	Thread type	No. of teeth
06611-50-106101X16	1	39,9	46,8	7,9	10	13,2	13,8	10	20,2	36,8	41	16	M6	external thread	16
06611-50-106101X18	1	39,9	46,8	7,9	10	13,2	13,8	10	20,2	36,8	41	18	M6	external thread	16
06611-50-208141X16	2	65,2	74,8	10,5	13	18,5	19,1	14	26,1	50,1	54,6	16	M8	external thread	20
06611-50-208141X20	2	65,2	74,8	10,5	13	18,5	19,1	14	26,1	50,1	54,6	20	M8	external thread	20
06611-50-208141X25	2	65,2	74,8	10,5	13	18,5	19,1	14	26,1	50,1	54,6	25	M8	external thread	20