

Clamping levers with plastic handle

external thread



Material:

Handle fibreglass reinforced plastic with die-cast zinc toothed ring.

Steel parts grade 5.8.

Version:

Steel parts black oxidised.

Sample order:

n1m 06610-1051X40 (lever black grey; include length L)

Note:

Δ Add the desired grip colour here.

Where $L \geq 60$ mm the thread length is always 60 mm.

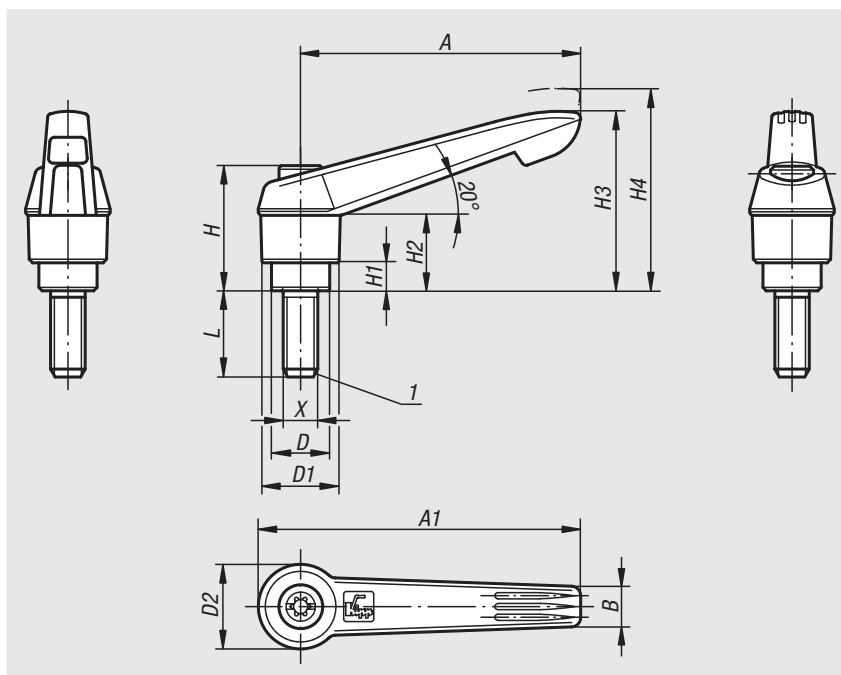
On request:

Other threads, screw lengths and special versions.

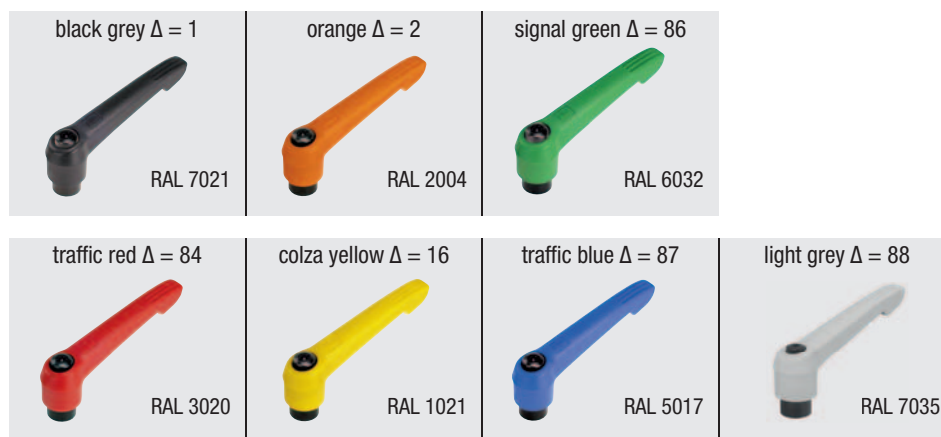
Dimension "H1" available in other lengths at extra charge.

Drawing reference:

1) flat point DIN 78



lift to disengage



Order No.	X	A	A1	B	D	D1	D2	H	H1	H2	H3	H4	No. of teeth	L
06610-105ΔX	M5	40	47	7,5	10	13	14,5	24,5	4	15	30	33,5	16	10/15/20/25/30/35/40/45/50
06610-106ΔX	M6	40	47	7,5	10	13	14,5	24,5	4	15	30	33,5	16	10/15/20/25/30/35/40/45/50
06610-206ΔX	M6	65	75	9,5	13,5	18	19,5	28,5	6,5	17,5	41,5	45,5	20	15/20/25/30/35/40/45/50/55/60
06610-208ΔX	M8	65	75	9,5	13,5	18	19,5	28,5	6,5	17,5	41,5	45,5	20	15/20/25/30/35/40/45/50/55/60
06610-210ΔX	M10	65	75	9,5	13,5	18	19,5	28,5	6,5	17,5	41,5	45,5	20	15/20/25/30/35/40/45/50/55/60
06610-308ΔX	M8	80	91,5	11	16	21,5	23	37	10	24	53,5	58	22	15/20/25/30/35/40/45/50/55/60
06610-310ΔX	M10	80	91,5	11	16	21,5	23	37	10	24	53,5	58	22	15/20/25/30/35/40/45/50/55/60
06610-410ΔX	M10	95	109	13	19	25,5	27,5	43	10	26	61	66	24	20/25/30/35/40/45/50/55/60/70/80/90
06610-412ΔX	M12	95	109	13	19	25,5	27,5	43	10	26	61	66	24	20/25/30/35/40/45/50/55/60/70/80/90
06610-512ΔX	M12	110	126	15,5	23	30	32,5	49	12	33	72	77	26	25/30/35/40/45/50/55/60/70/80/90
06610-516ΔX	M16	110	126	15,5	23	30	32,5	49	12	33	72	77	26	25/30/35/40/45/50/55/60/70/80/90

Clamping levers with push button

with external thread



Material:

Handle fibreglass reinforced plastic, toothed ring die-cast zinc.

Steel parts grade 5.8.

Push button plastic (POM).

Version:

Steel parts black oxidised.

Sample order:

nIm 06610.71105X10

(clamping lever black grey, push button traffic red; include length L)

Note:

Δ Enter the desired lever colour here.

The standard colours are:

Black grey clamping lever, traffic red push button.

Orange clamping lever, black grey push button.

Traffic red clamping lever, black grey push button.

Where $L \geq 60$ mm the thread length is always 60 mm.

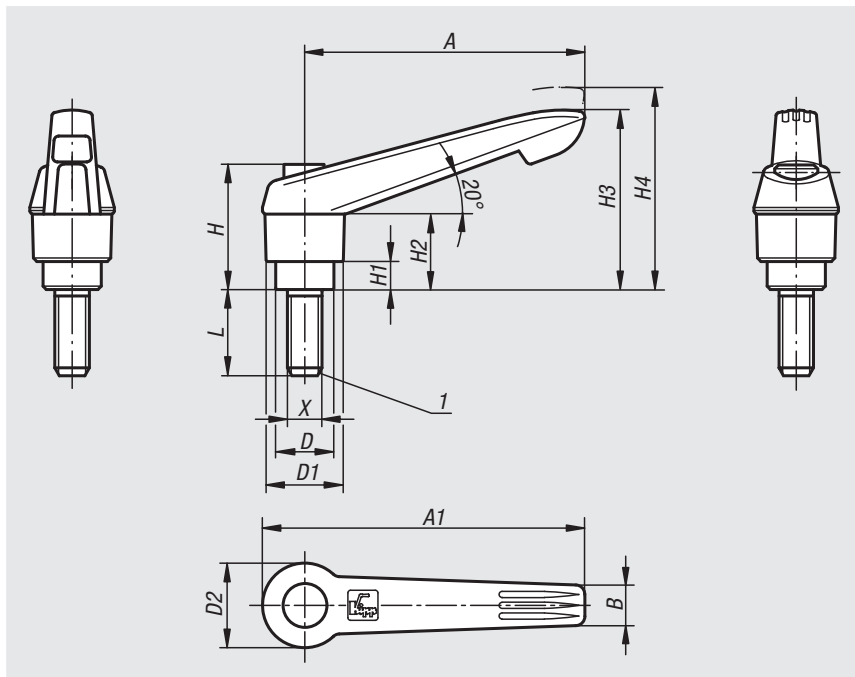
On request:

Other threads, screw lengths and special versions.

Dimension "H1" available in other lengths at extra charge.

Drawing reference:

1) flat point DIN 78



Order No.	X	A	A1	B	D	D1	D2	H	H1	H2	H3	H4	No. of teeth	L
06610-7Δ105X	M5	40	47	7,5	10	13	14,5	25,5	4	15	30	33,5	16	10/15/20/25/30/35/40/45/50
06610-7Δ106X	M6	40	47	7,5	10	13	14,5	25,5	4	15	30	33,5	16	10/15/20/25/30/35/40/45/50
06610-7Δ206X	M6	65	75	9,5	13,5	18	19,5	29,5	6,5	17,5	41,5	45,5	20	15/20/25/30/35/40/45/50/55/60
06610-7Δ208X	M8	65	75	9,5	13,5	18	19,5	29,5	6,5	17,5	41,5	45,5	20	15/20/25/30/35/40/45/50/55/60
06610-7Δ210X	M10	65	75	9,5	13,5	18	19,5	29,5	6,5	17,5	41,5	45,5	20	15/20/25/30/35/40/45/50/55/60
06610-7Δ308X	M8	80	91,5	11	16	21,5	23	38,5	10	24	53,5	58	22	15/20/25/30/35/40/45/50/55/60
06610-7Δ310X	M10	80	91,5	11	16	21,5	23	38,5	10	24	53,5	58	22	15/20/25/30/35/40/45/50/55/60
06610-7Δ410X	M10	95	109	13	19	25,5	27,5	44,6	10	26	61	66	24	20/25/30/35/40/45/50/55/60/70/80/90
06610-7Δ412X	M12	95	109	13	19	25,5	27,5	44,6	10	26	61	66	24	20/25/30/35/40/45/50/55/60/70/80/90
06610-7Δ512X	M12	110	126	15,5	23	30	32,5	50,6	12	33	72	77	26	25/30/35/40/45/50/55/60/70/80/90
06610-7Δ516X	M16	110	126	15,5	23	30	32,5	50,6	12	33	72	77	26	25/30/35/40/45/50/55/60/70/80/90

Clamping levers antistatic

external thread, plastic grip



Material:

Handles reinforced plastic, toothed ring die-cast zinc.
Steel parts grade 5.8.

Version:

Steel parts black oxidised, handles graphite black.

Sample order:

nIm 06610-1120624X20

Application:

Sensitive electrical or electronic equipment, components and devices (ESD sensitive elements) may be damaged or destroyed by electrostatic discharges (ESD) in the immediate vicinity. Electrostatic discharges can come from people or through handling ESD sensitive components (e.g. during production, assembly, transport, storage etc). Electrically conductive products which conform to DIN EN 61340-5-1 are essential within electronic environments to prevent an electrostatic discharge. These products can be used for ESD applications or in ESD protection areas (EPA) in accordance with DIN EN 61340-5-1.

Safety:

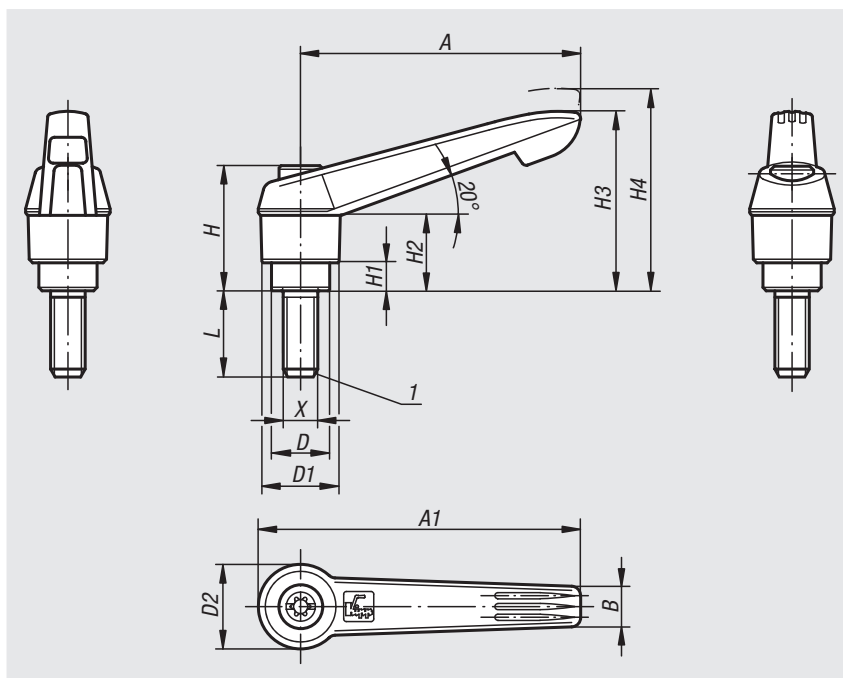
These ESD products can also be used for devices, components and protection systems in areas with high risk of explosion. Use of these ESD products prevents the occurrence of electrostatic spark discharges, eliminating the potential ignition of gases and dusts which could lead to explosions in enclosed spaces. Manufacturers and operators must use and conform to ATEX directives for the protection of persons working in areas with high risk of explosion. These ESD products are certified by TÜV-Süd in relation to their electrical discharge capability.

Target groups:

Device manufacturers required to conform to ATEX product directive 2014/34/EU.
Operators required to conform to ATEX worker protection directive 1999/92/EC.

Drawing reference:

1) flat point DIN 78



lift to
disengage



Order No.	X=thread	D	D1	D2	H	H1	H2	H3=handle height	H4	A	A1=Handle length	B	No. of teeth	L=thread length
06610-1120624X20	M6	13,5	18	19,5	28,5	6,5	17,5	41,5	45,5	65	75	9,5	20	20
06610-1120824X20	M8	13,5	18	19,5	28,5	6,5	17,5	41,5	45,5	65	75	9,5	20	20
06610-1121024X20	M10	13,5	18	19,5	28,5	6,5	17,5	41,5	45,5	65	75	9,5	20	20