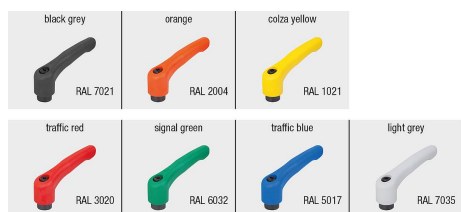


## Item description/product images



lift to  
disengage



## Description

### Product description:

The plastic clamping lever with ergonomic grip design offers a high-quality, modern appearance in combination with very pleasant haptics.

The clamping lever is made of a special high-performance plastic and is available in many standard colours.

The advantages of the clamping lever are high rigidity and strength. The light weight make it ideal for mobile applications.

### Material:

High performance fibreglass reinforced thermoplastic.

Steel parts grade 5.8.

### Version:

Steel parts black oxidised.

### Note:

Where  $L \geq 60$  mm the thread length is always 60 mm.

### Type of operation:

When not actuated, the handle is engaged in the tooth insert by a gear ring, thus allowing the thread to be fastened or released. When raised, the handle can be re-positioned and then re-engaged in the gear ring by spring force.

### Application:

Machine, equipment and plant construction, rehabilitation sector.

### Temperature range:

Permanent temperature max. 100 °C.

Brief use with temperatures up to 130 °C.

### Advantages:

Seven colour variants.

### On request:

Other screw sizes, screw lengths and special versions.

Length "H1" optionally available in other lengths for an additional charge.

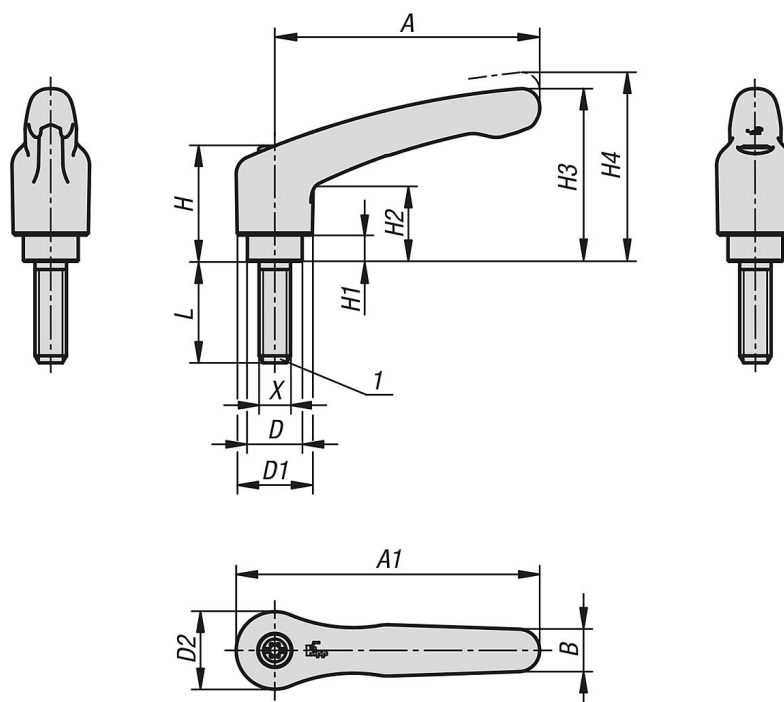
High temperature black-grey plastic.

Permanent operating temperature acc. to IEC 216 150 °C - 160 °C max.

Brief use with temperatures up to 250 °C.

### Drawing reference:

1) flat point DIN EN ISO 4753



## Overview of items

Order No.	Main colour	Main material	Size	X	D	D1	D2	H	H1	H2	H3	H4	A	A1	B	No. of teeth	L
06610-50-9031X6	black grey RAL 7021	high performance thermoplastic	9	M3	8	10,5	11	21,4	4	12,4	24	27	22	27,5	6,4	12	6
06610-50-9031X10	black grey RAL 7021	high performance thermoplastic	9	M3	8	10,5	11	21,4	4	12,4	24	27	22	27,5	6,4	12	10
06610-50-9031X15	black grey RAL 7021	high performance thermoplastic	9	M3	8	10,5	11	21,4	4	12,4	24	27	22	27,5	6,4	12	15
06610-50-9031X20	black grey RAL 7021	high performance thermoplastic	9	M3	8	10,5	11	21,4	4	12,4	24	27	22	27,5	6,4	12	20
06610-50-9041X10	black grey RAL 7021	high performance thermoplastic	9	M4	8	10,5	11	21,4	4	12,4	24	27	22	27,5	6,4	12	10
06610-50-9041X15	black grey RAL 7021	high performance thermoplastic	9	M4	8	10,5	11	21,4	4	12,4	24	27	22	27,5	6,4	12	15
06610-50-9041X20	black grey RAL 7021	high performance thermoplastic	9	M4	8	10,5	11	21,4	4	12,4	24	27	22	27,5	6,4	12	20
06610-50-9041X25	black grey RAL 7021	high performance thermoplastic	9	M4	8	10,5	11	21,4	4	12,4	24	27	22	27,5	6,4	12	25
06610-50-9041X30	black grey RAL 7021	high performance thermoplastic	9	M4	8	10,5	11	21,4	4	12,4	24	27	22	27,5	6,4	12	30
06610-50-9041X35	black grey RAL 7021	high performance thermoplastic	9	M4	8	10,5	11	21,4	4	12,4	24	27	22	27,5	6,4	12	35
06610-50-9051X10	black grey RAL 7021	high performance thermoplastic	9	M5	8	10,5	11	21,4	4	12,4	24	27	22	27,5	6,4	12	10
06610-50-9051X15	black grey RAL 7021	high performance thermoplastic	9	M5	8	10,5	11	21,4	4	12,4	24	27	22	27,5	6,4	12	15
06610-50-9051X20	black grey RAL 7021	high performance thermoplastic	9	M5	8	10,5	11	21,4	4	12,4	24	27	22	27,5	6,4	12	20
06610-50-9051X25	black grey RAL 7021	high performance thermoplastic	9	M5	8	10,5	11	21,4	4	12,4	24	27	22	27,5	6,4	12	25
06610-50-9051X30	black grey RAL 7021	high performance thermoplastic	9	M5	8	10,5	11	21,4	4	12,4	24	27	22	27,5	6,4	12	30
06610-50-9051X35	black grey RAL 7021	high performance thermoplastic	9	M5	8	10,5	11	21,4	4	12,4	24	27	22	27,5	6,4	12	35
06610-50-0031X6	black grey RAL 7021	high performance thermoplastic	0	M3	10	13,2	13,8	24,5	4	15,5	30	33,5	30	36,9	7,6	16	6
06610-50-0031X10	black grey RAL 7021	high performance thermoplastic	0	M3	10	13,2	13,8	24,5	4	15,5	30	33,5	30	36,9	7,6	16	10
06610-50-0031X15	black grey RAL 7021	high performance thermoplastic	0	M3	10	13,2	13,8	24,5	4	15,5	30	33,5	30	36,9	7,6	16	15
06610-50-0031X20	black grey RAL 7021	high performance thermoplastic	0	M3	10	13,2	13,8	24,5	4	15,5	30	33,5	30	36,9	7,6	16	20
06610-50-0041X10	black grey RAL 7021	high performance thermoplastic	0	M4	10	13,2	13,8	24,5	4	15,5	30	33,5	30	36,9	7,6	16	10
06610-50-0041X15	black grey RAL 7021	high performance thermoplastic	0	M4	10	13,2	13,8	24,5	4	15,5	30	33,5	30	36,9	7,6	16	15
06610-50-0041X20	black grey RAL 7021	high performance thermoplastic	0	M4	10	13,2	13,8	24,5	4	15,5	30	33,5	30	36,9	7,6	16	20
06610-50-0041X25	black grey RAL 7021	high performance thermoplastic	0	M4	10	13,2	13,8	24,5	4	15,5	30	33,5	30	36,9	7,6	16	25
06610-50-0041X30	black grey RAL 7021	high performance thermoplastic	0	M4	10	13,2	13,8	24,5	4	15,5	30	33,5	30	36,9	7,6	16	30
06610-50-0041X35	black grey RAL 7021	high performance thermoplastic	0	M4	10	13,2	13,8	24,5	4	15,5	30	33,5	30	36,9	7,6	16	35
06610-50-0041X40	black grey RAL 7021	high performance thermoplastic	0	M4	10	13,2	13,8	24,5	4	15,5	30	33,5	30	36,9	7,6	16	40
06610-50-0041X45	black grey RAL 7021	high performance thermoplastic	0	M4	10	13,2	13,8	24,5	4	15,5	30	33,5	30	36,9	7,6	16	45
06610-50-0041X50	black grey RAL 7021	high performance thermoplastic	0	M4	10	13,2	13,8	24,5	4	15,5	30	33,5	30	36,9	7,6	16	50
06610-50-0051X10	black grey RAL 7021	high performance thermoplastic	0	M5	10	13,2	13,8	24,5	4	15,5	30	33,5	30	36,9	7,6	16	10
06610-50-0051X15	black grey RAL 7021	high performance thermoplastic	0	M5	10	13,2	13,8	24,5	4	15,5	30	33,5	30	36,9	7,6	16	15
06610-50-0051X20	black grey RAL 7021	high performance thermoplastic	0	M5	10	13,2	13,8	24,5	4	15,5	30	33,5	30	36,9	7,6	16	20
06610-50-0051X25	black grey RAL 7021	high performance thermoplastic	0	M5	10	13,2	13,8	24,5	4	15,5	30	33,5	30	36,9	7,6	16	25
06610-50-0051X30	black grey RAL 7021	high performance thermoplastic	0	M5	10	13,2	13,8	24,5	4	15,5	30	33,5	30	36,9	7,6	16	30

































