

Clamping levers with plastic handle

internal thread, metal parts stainless steel



Material:

Handle fibreglass reinforced plastic with die-cast zinc toothed ring.
Steel parts stainless steel 1.4305.

Version:

Stainless steel bright.

Sample order:

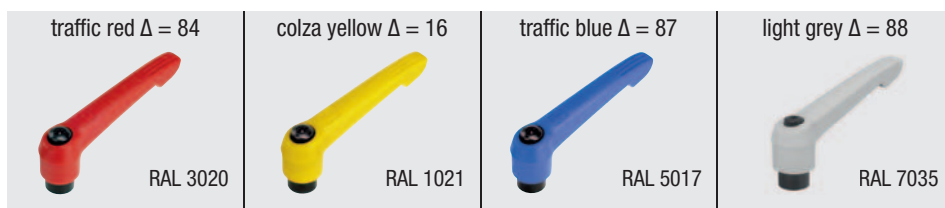
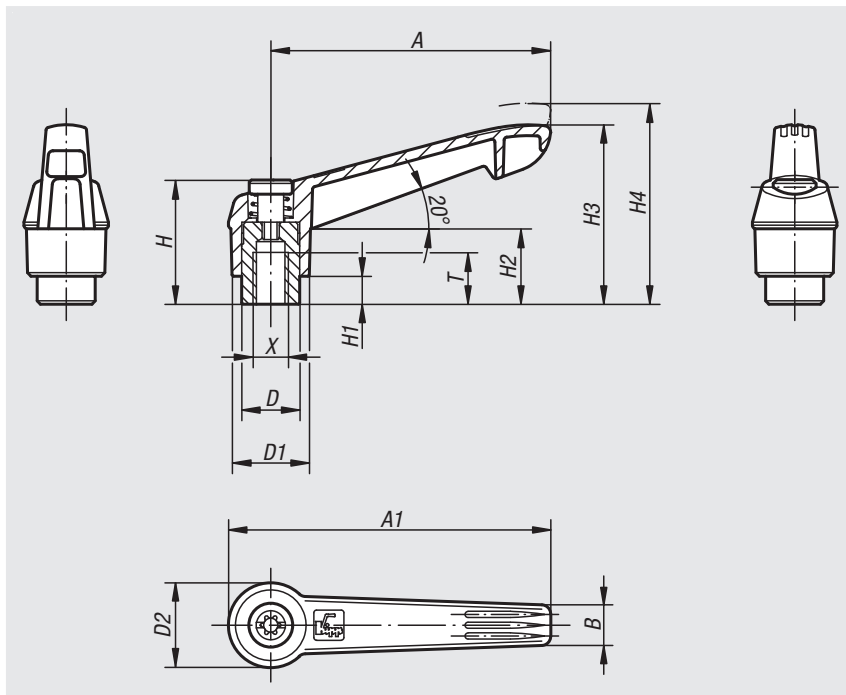
nIm 06601-10486 (lever colour signal green)

Note:

Δ Add the desired grip colour here.

On request:

Other threads and special versions.
Dimension "H1" available in other lengths at extra charge.



lift to disengage



Order No.	X	A	A1	B	D	D1	D2	H	H1	H2	H3	H4	T	No. of teeth
06601-104Δ	M4	40	47	7,5	10	13	14,5	24,5	4	15	30	33,5	9	16
06601-105Δ	M5	40	47	7,5	10	13	14,5	24,5	4	15	30	33,5	9	16
06601-106Δ	M6	40	47	7,5	10	13	14,5	24,5	4	15	30	33,5	9	16
06601-206Δ	M6	65	75	9,5	13,5	18	19,5	28,5	6,5	17,5	41,5	45,5	12	20
06601-208Δ	M8	65	75	9,5	13,5	18	19,5	28,5	6,5	17,5	41,5	45,5	12	20
06601-308Δ	M8	80	91,5	11	16	21,5	23	37	10	24	53,5	58	14	22
06601-310Δ	M10	80	91,5	11	16	21,5	23	37	10	24	53,5	58	14	22
06601-410Δ	M10	95	109	13	19	25,5	27,5	43	10	26	61	66	17	24
06601-412Δ	M12	95	109	13	19	25,5	27,5	43	10	26	61	66	17	24
06601-512Δ	M12	110	126	15,5	23	30	32,5	49	12	33	72	77	23	26
06601-516Δ	M16	110	126	15,5	23	30	32,5	49	12	33	72	77	23	26

Clamping levers with push button

internal thread, metal parts stainless steel



Material:

Handle fibreglass reinforced plastic, toothed ring die-cast zinc. Metal parts stainless steel 1.4305. Push button plastic (POM).

Version:

Steel parts bright.

Sample order:

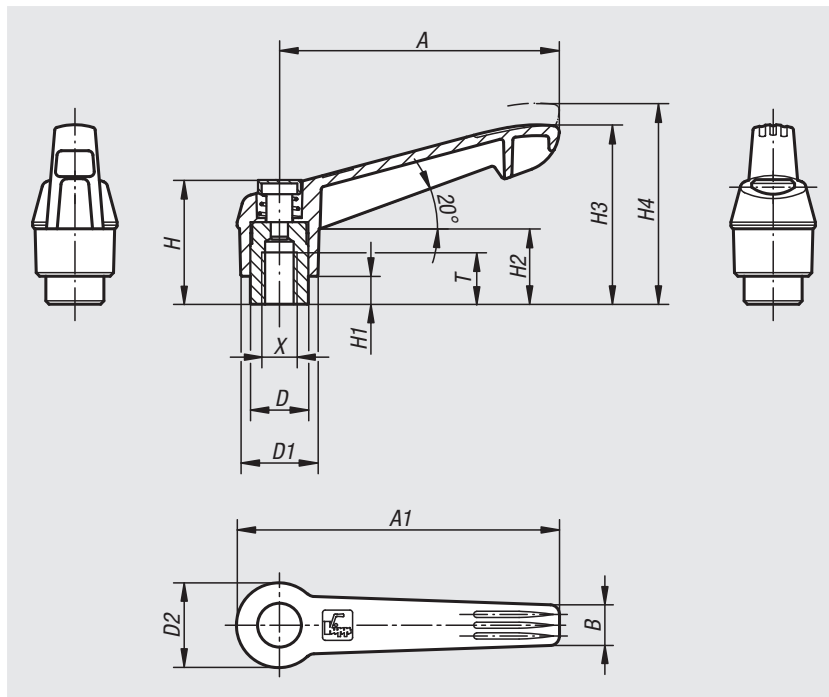
nIm 06601-71104
(clamping lever black grey, push button traffic red)

Note:

Δ Enter the desired lever colour here.
The standard colours are:
Black grey clamping lever, traffic red push button.
Orange clamping lever, black grey push button.
Traffic red clamping lever, black grey push button.

On request:

Other threads and special versions.
Dimension "H1" available in other lengths at extra charge.



Order No.	X	A	A1	B	D	D1	D2	H	H1	H2	H3	H4	T	No. of teeth
06601-7Δ104	M4	40	47	7,5	10	13	14,5	25,5	4	15	30	33,5	9	16
06601-7Δ105	M5	40	47	7,5	10	13	14,5	25,5	4	15	30	33,5	9	16
06601-7Δ106	M6	40	47	7,5	10	13	14,5	25,5	4	15	30	33,5	9	16
06601-7Δ206	M6	65	75	9,5	13,5	18	19,5	29,5	6,5	17,5	41,5	45,5	12	20
06601-7Δ208	M8	65	75	9,5	13,5	18	19,5	29,5	6,5	17,5	41,5	45,5	12	20
06601-7Δ308	M8	80	91,5	11	16	21,5	23	38,5	10	24	53,5	58	14	22
06601-7Δ310	M10	80	91,5	11	16	21,5	23	38,5	10	24	53,5	58	14	22
06601-7Δ410	M10	95	109	13	19	25,5	27,5	44,6	10	26	61	66	17	24
06601-7Δ412	M12	95	109	13	19	25,5	27,5	44,6	10	26	61	66	17	24
06601-7Δ512	M12	110	126	15,5	23	30	32,5	50,6	12	33	72	77	23	26
06601-7Δ516	M16	110	126	15,5	23	30	32,5	50,6	12	33	72	77	23	26

01000 02000 03000 04000 05000 06000 07000 08000 09000 10000 12000