

Clamping levers with plastic handle

internal thread



Material:

Handle fibreglass reinforced plastic with die-cast zinc toothed ring.

Steel parts grade 5.8.

Version:

Steel parts black oxidised.

Sample order:

nIm 06600-10486 (lever colour signal green)

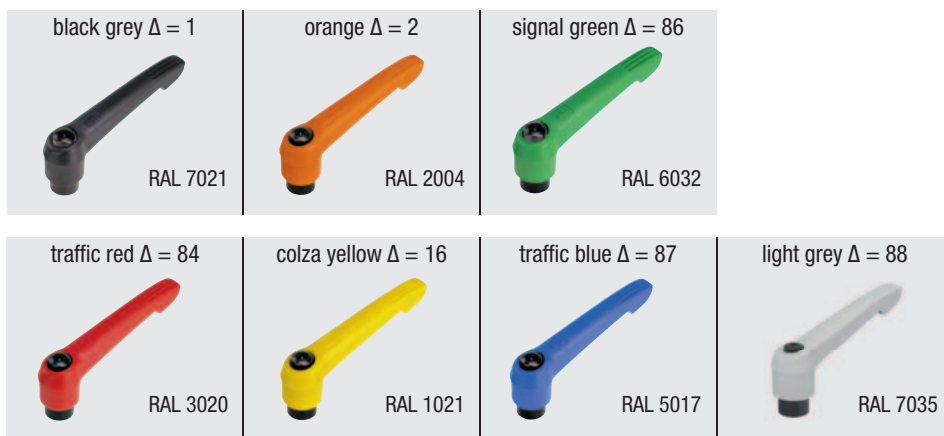
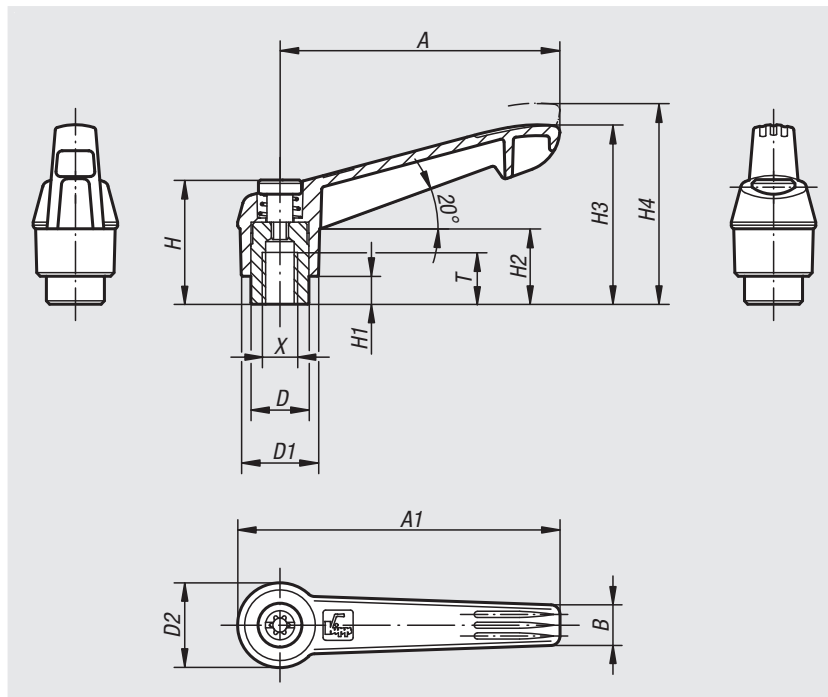
Note:

Δ Add the desired grip colour here.

On request:

Other threads and special versions.

Dimension "H1" available in other lengths at extra charge.



lift to disengage



Order No.	X	A	A1	B	D	D1	D2	H	H1	H2	H3	H4	T	No. of teeth
06600-104Δ	M4	40	47	7,5	10	13	14,5	24,5	4	15	30	33,5	9	16
06600-105Δ	M5	40	47	7,5	10	13	14,5	24,5	4	15	30	33,5	9	16
06600-106Δ	M6	40	47	7,5	10	13	14,5	24,5	4	15	30	33,5	9	16
06600-206Δ	M6	65	75	9,5	13,5	18	19,5	28,5	6,5	17,5	41,5	45,5	12	20
06600-208Δ	M8	65	75	9,5	13,5	18	19,5	28,5	6,5	17,5	41,5	45,5	12	20
06600-308Δ	M8	80	91,5	11	16	21,5	23	37	10	24	53,5	58	14	22
06600-310Δ	M10	80	91,5	11	16	21,5	23	37	10	24	53,5	58	14	22
06600-410Δ	M10	95	109	13	19	25,5	27,5	43	10	26	61	66	17	24
06600-412Δ	M12	95	109	13	19	25,5	27,5	43	10	26	61	66	17	24
06600-512Δ	M12	110	126	15,5	23	30	32,5	49	12	33	72	77	23	26
06600-516Δ	M16	110	126	15,5	23	30	32,5	49	12	33	72	77	23	26

Clamping levers with push button

internal thread



Material:

Handle fibreglass reinforced plastic, toothed ring die-cast zinc.

Steel parts grade 5.8.

Push button plastic (POM).

Version:

Steel parts black oxidised.

Sample order:

nIm 06600-71104

(clamping lever black grey, push button traffic red)

Note:

Δ Enter the desired lever colour here.

The standard colours are:

Black grey clamping lever, traffic red push button.

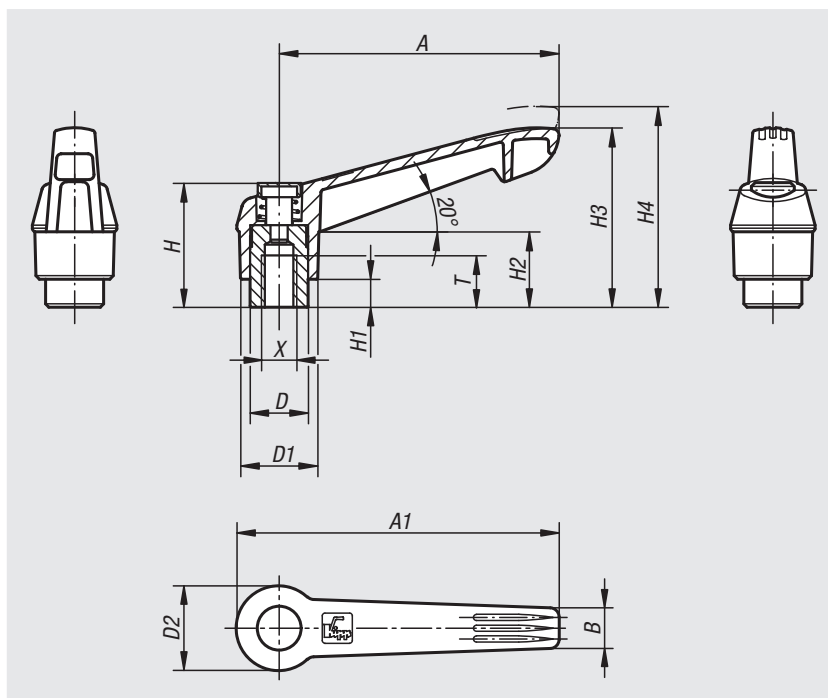
Orange clamping lever, black grey push button.

Traffic red clamping lever, black grey push button.

On request:

Other threads and special versions.

Dimension "H1" available in other lengths at extra charge.



Order No.	X	A	A1	B	D	D1	D2	H	H1	H2	H3	H4	T	No. of teeth
06600-7Δ104	M4	40	47	7,5	10	13	14,5	25,5	4	15	30	33,5	9	16
06600-7Δ105	M5	40	47	7,5	10	13	14,5	25,5	4	15	30	33,5	9	16
06600-7Δ106	M6	40	47	7,5	10	13	14,5	25,5	4	15	30	33,5	9	16
06600-7Δ206	M6	65	75	9,5	13,5	18	19,5	29,5	6,5	17,5	41,5	45,5	12	20
06600-7Δ208	M8	65	75	9,5	13,5	18	19,5	29,5	6,5	17,5	41,5	45,5	12	20
06600-7Δ308	M8	80	91,5	11	16	21,5	23	38,5	10	24	53,5	58	14	22
06600-7Δ310	M10	80	91,5	11	16	21,5	23	38,5	10	24	53,5	58	14	22
06600-7Δ410	M10	95	109	13	19	25,5	27,5	44,6	10	26	61	66	17	24
06600-7Δ412	M12	95	109	13	19	25,5	27,5	44,6	10	26	61	66	17	24
06600-7Δ512	M12	110	126	15,5	23	30	32,5	50,6	12	33	72	77	23	26
06600-7Δ516	M16	110	126	15,5	23	30	32,5	50,6	12	33	72	77	23	26

Clamping levers antistatic

internal thread, plastic grip



Material:

Handles reinforced plastic, toothed ring die-cast zinc.
Steel parts grade 5.8.

Version:

Steel parts black oxidised, handles graphite black.

Sample order:

nIm 06600-1120624

Application:

Sensitive electrical or electronic equipment, components and devices (ESD sensitive elements) may be damaged or destroyed by electrostatic discharges (ESD) in the immediate vicinity.

Electrostatic discharges can come from people or through handling ESD sensitive components (e.g. during production, assembly, transport, storage etc).

Electrically conductive products which conform to DIN EN 61340-5-1 are essential within electronic environments to prevent an electrostatic discharge.

These products can be used for ESD applications or in ESD protection areas (EPA) in accordance with DIN EN 61340-5-1.

Safety:

These ESD products can also be used for devices, components and protection systems in areas with high risk of explosion.

Use of these ESD products prevents the occurrence of electrostatic spark discharges, eliminating the potential ignition of gases and dusts which could lead to explosions in enclosed spaces.

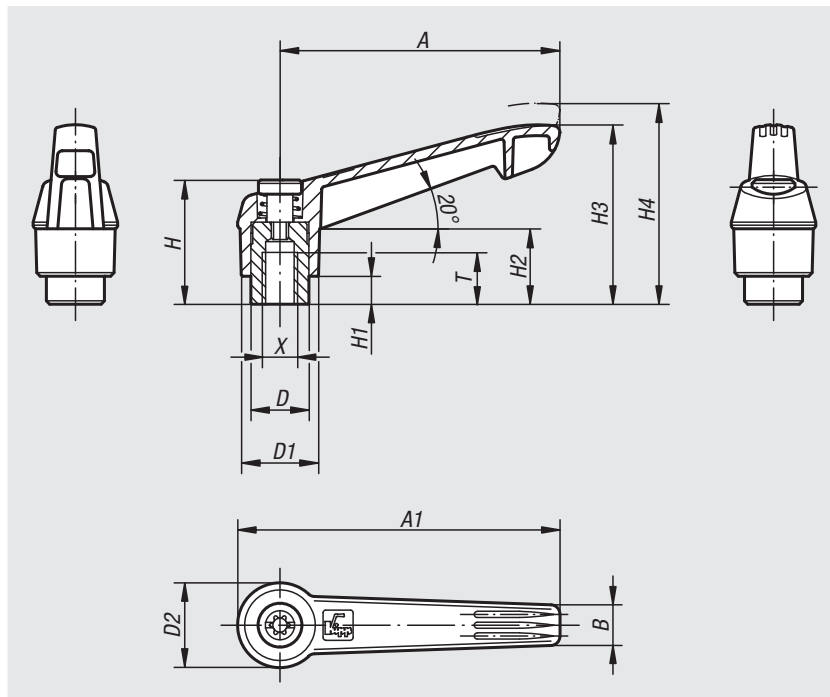
Manufacturers and operators must use and conform to ATEX directives for the protection of persons working in areas with high risk of explosion.

These ESD products are certified by TÜV-Süd in relation to their electrical discharge capability.

Target groups:

Device manufacturers required to conform to ATEX product directive 2014/34/EU.

Operators required to conform to ATEX worker protection directive 1999/92/EC.



lift to
disengage



Order No.	X	A	A1	B	D	D1	D2	H	H1	H2	H3	H4	T	No. of teeth
06600-1120624	M6	65	75	9,5	13,5	18	19,5	28,5	6,5	17,5	41,5	45,5	12	20
06600-1120824	M8	65	75	9,5	13,5	18	19,5	28,5	6,5	17,5	41,5	45,5	12	20