

Crank handles balanced

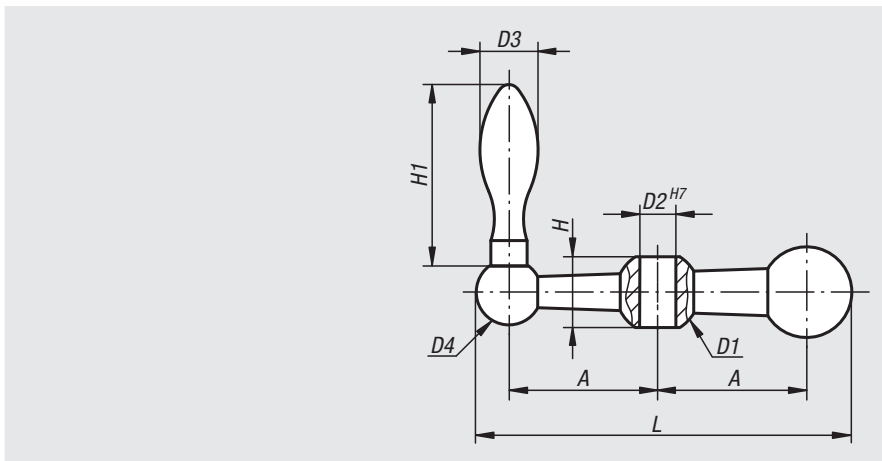


Material:
Steel.

Version:
Electro zinc-plated.

Sample order:
nlm 06510-108

Note:
Fixed handle DIN 39.

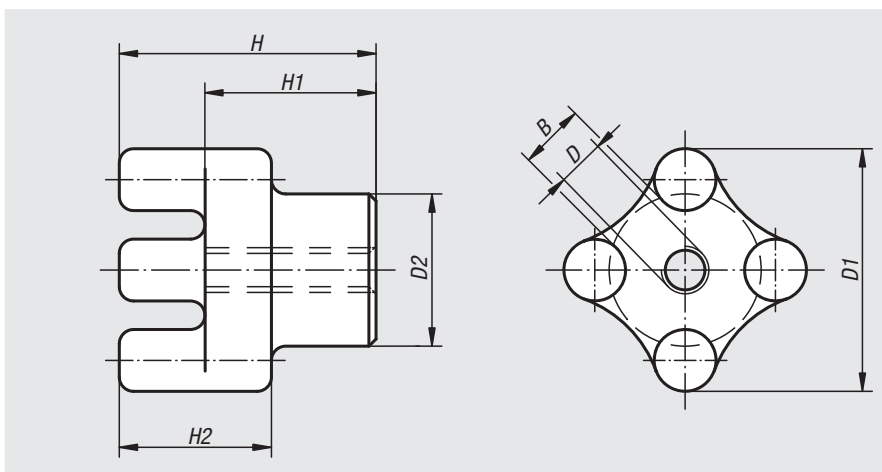


Order No.	A	D1	D2	D3	D4	H	H1	L
06510-107	25	16	7	10	13	13	32	65,5
06510-108	34	20	8	14	16	17	46	87
06510-110	41	23	10	16	18	19,5	50	103,5
06510-112	50	26	12	18	20	21,5	56	124

Bar knobs



***???* AGWBL Katalogtext:1



Order No.	B	D	D1	D2	H	H1	H2
06550-10	12	M10	51	32	54	36	32
06550-12	12	M12	51	32	54	36	32
06550-14	12	M14	51	32	54	36	32
06550-16	12	M16	51	32	54	36	32
06550-20	18	M20	64	38	60	40	35
06550-24	30	M24	90	57	70	40	45

