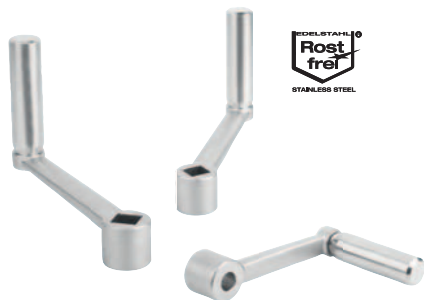


# Crank handles stainless steel

cylindrical revolving grip



### Material:

Crank stainless steel 1.4308.

Axle pin and revolving grip stainless steel 1.4305.

Retaining ring stainless steel 1.4310.

### Version:

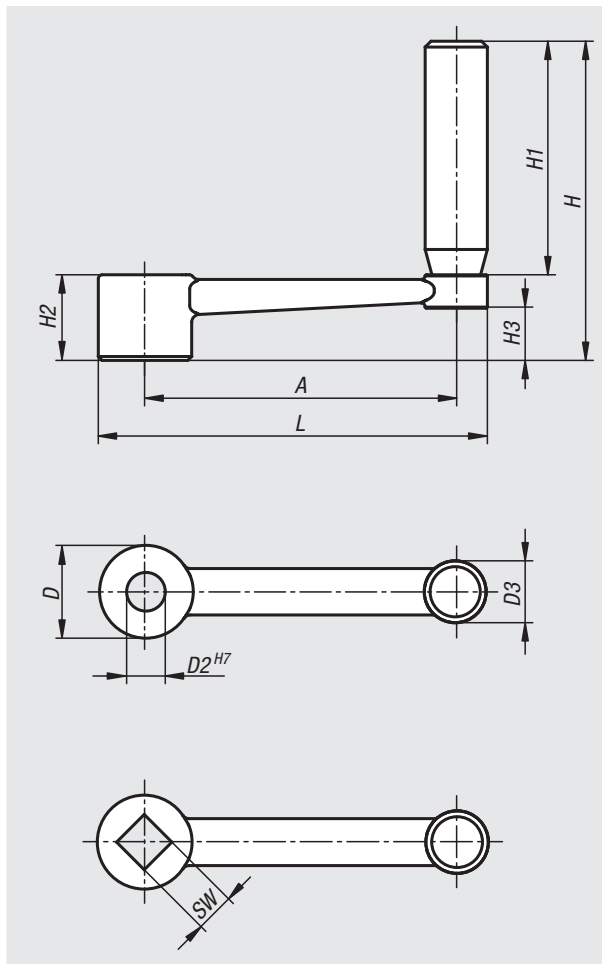
Bright.

### Sample order:

nlm 06505-3110

### Note:

Similar to DIN 469.



Order No.	Version 1	D	D2	D3	H	H1	H2	H3	A	L
06505-3110	reamed hole	24	10	16	82	60	22	13,4	80	100
06505-3212	reamed hole	28	12	20	98	72	26	16	100	124
06505-3314	reamed hole	30	14	26	118	90	28	15,8	125	153
06505-3417	reamed hole	34	17	26	122	90	32	19,6	160	190

Order No.	Version 1	D	D3	H	H1	H2	H3	A	L	SW
06505-4110	square socket	24	16	82	60	22	13,4	80	100	10
06505-4212	square socket	28	20	98	72	26	16	100	124	12
06505-4314	square socket	30	26	118	90	28	15,8	125	153	14
06505-4417	square socket	34	26	122	90	32	19,6	160	190	17