

Crank handles aluminium

with safety cylinder grip



Material:

Crank AISi9Cu3 3.2163.

Safety cylinder grip thermoplastic PA6 and steel.

Version:

Crank black powder coated.

Thermoplastic black.

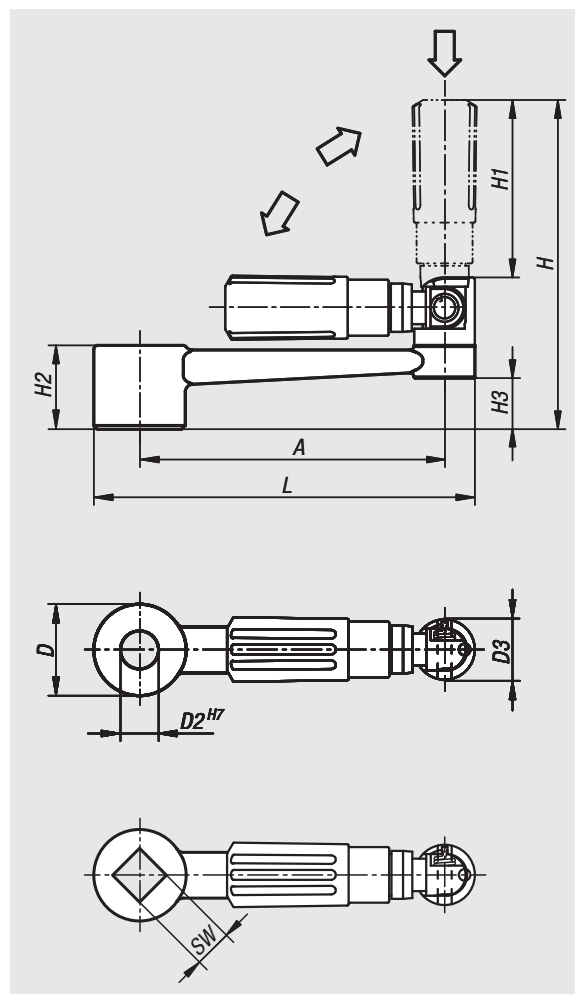
Steel parts black oxidised.

Sample order:

nIm 06504-1110

Note:

Similar to DIN 469.



Order No.	Version 1	A	D	D2	D3	H	H1	H2	H3	L
06504-1110	reamed hole	80	24	10	16	87,5	47,5	22	13,4	100
06504-1212	reamed hole	100	28	12	20	106,9	58,4	26	16	124
06504-1314	reamed hole	125	30	14	26	139,1	82,1	28	15,8	153
06504-1417	reamed hole	160	34	17	26	143,1	82,1	32	19,6	190

Order No.	Version 1	A	D	D3	H	H1	H2	H3	L	SW
06504-2110	square socket	80	24	16	87,5	47,5	22	13,4	100	10
06504-2212	square socket	100	28	20	106,9	58,4	26	16	124	12
06504-2314	square socket	125	30	26	139,1	82,1	28	15,8	153	14
06504-2417	square socket	160	34	26	143,1	82,1	32	19,6	190	17