

Crank handles aluminium

cylindrical revolving grip



Material:

Crank AlSi9Cu3 3.2163.

Revolving grip thermoplastic PA6 and steel 1.0718.

Version:

Crank black powder coated.

Thermoplastic black.

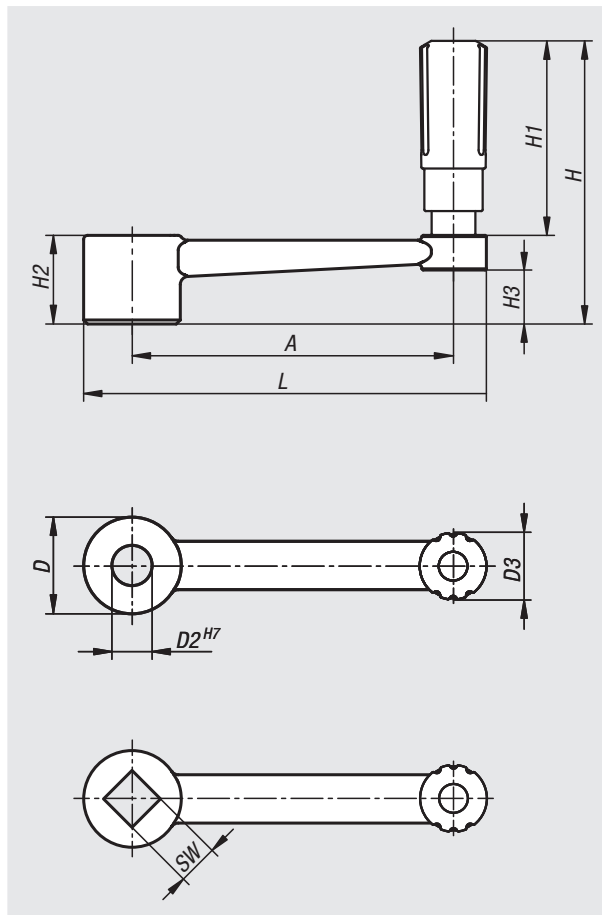
Steel parts black oxidised.

Sample order:

nIm 06503-3110

Note:

Similar to DIN 469.

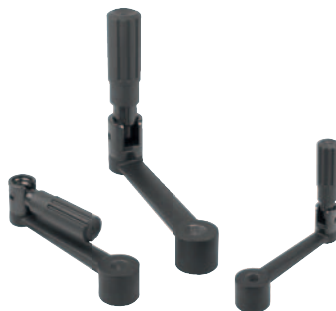


Order No.	Version 1	A	D	D2	D3	H	H1	H2	H3	L
06503-3110	reamed hole	80	24	10	16	71,1	49,1	22	13,4	100
06503-3212	reamed hole	100	28	12	20	87,4	61,4	26	16	124
06503-3314	reamed hole	125	30	14	26	111	83	28	15,8	153
06503-3417	reamed hole	160	34	17	26	115	83	32	19,6	190

Order No.	Version 1	A	D	D3	H	H1	H2	H3	L	SW
06503-4110	square socket	80	24	16	71,1	49,1	22	13,4	100	10
06503-4212	square socket	100	28	20	87,4	61,4	26	16	124	12
06503-4314	square socket	125	30	26	111	83	28	15,8	153	14
06503-4417	square socket	160	34	26	115	83	32	19,6	190	17

Crank handles aluminium

with fold-away cylinder grip



Material:

Crank AlSi9Cu3 3.2163.
Cylinder grip thermoplastic PA6 and steel.

Version:

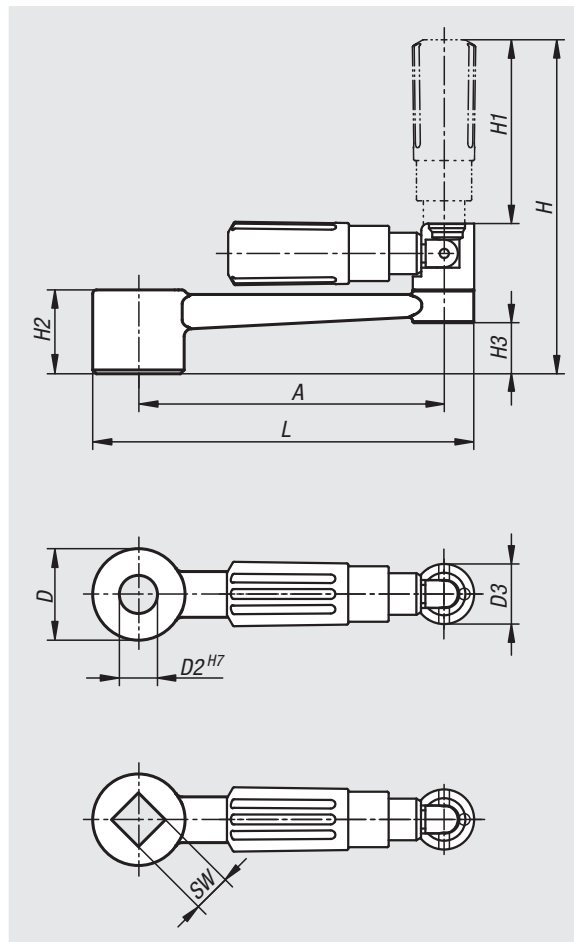
Crank black powder coated.
Thermoplastic black.
Steel parts black oxidised.

Sample order:

nIm 06503-1110

Note:

Similar to DIN 469.



Order No.	Version 1	A	D	D2	D3	H	H1	H2	H3	L
06503-1110	reamed hole	80	24	10	16	89	49	22	13,4	100
06503-1212	reamed hole	100	28	12	20	107,9	59,4	26	16	124
06503-1314	reamed hole	125	30	14	26	140,5	83,5	28	15,8	153
06503-1417	reamed hole	160	34	17	26	144,5	83,5	32	19,6	190

Order No.	Version 1	A	D	D3	H	H1	H2	H3	L	SW
06503-2110	square socket	80	24	16	89	49	22	13,4	100	10
06503-2212	square socket	100	28	20	107,9	59,4	26	16	124	12
06503-2314	square socket	125	30	26	140,5	83,5	28	15,8	153	14
06503-2417	square socket	160	34	26	144,5	83,5	32	19,6	190	17