

# Crank handles

with safety grip



**Material:**

Arm and grip black grey thermoplastic.

**Version:**

Steel parts black oxidised.

**Sample order:**

nIm 06502-1108

**Note:**

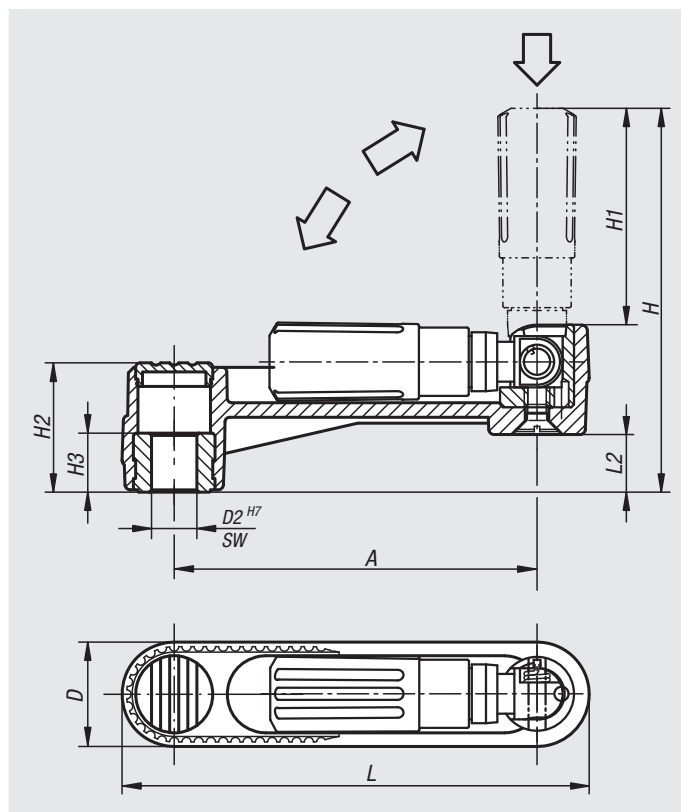
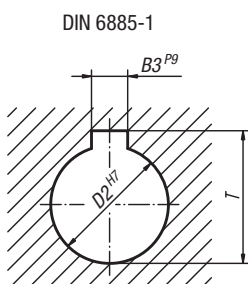
The hub cover is supplied loose.

The crank handles can be secured to the shaft by cross-pinning or by parallel key together with a DIN 6912 socket head screw and DIN 7349 washer.

Two actions must be made to bring the safety grip into an operating position:

- Swing the grip out until it stops (90°).
- Push the grip in until it locks.

The pushed-in position is the most comfortable for cranking. The grip swings back automatically after releasing.



Order No.	Version 1	A	D	D2	H	H1	H2	H3	L	L2
06502-1108	reamed hole	80	24	8	84,2	47,5	28,5	13	104	12,7
06502-1110	reamed hole	80	24	10	84,2	47,5	28,5	13	104	12,7
06502-1210	reamed hole	100	29	10	104,2	58,5	35,5	13	129	15,7
06502-1212	reamed hole	100	29	12	104,2	58,5	35,5	13	129	15,7
06502-1312	reamed hole	125	36	12	139	82	44	18,5	161	19,5
06502-1314	reamed hole	125	36	14	139	82	44	18,5	161	19,5

Order No.	Version 1	A	B3	D	D2	H	H1	H2	H3	L	L2	T
06502-110802	reamed hole with slot	80	2	24	8	84,2	47,5	28,5	13	104	12,7	9
06502-111003	reamed hole with slot	80	3	24	10	84,2	47,5	28,5	13	104	12,7	11,4
06502-121003	reamed hole with slot	100	3	29	10	104,2	58,5	35,5	13	129	15,7	11,4
06502-121204	reamed hole with slot	100	4	29	12	104,2	58,5	35,5	13	129	15,7	13,8
06502-131204	reamed hole with slot	125	4	36	12	139	82	44	18,5	161	19,5	13,8
06502-131405	reamed hole with slot	125	5	36	14	139	82	44	18,5	161	19,5	16,3

Order No.	Version 1	A	D	H	H1	H2	H3	L	L2	SW
06502-2108	square socket	80	24	84,2	47,5	28,5	13	104	12,7	8
06502-2110	square socket	80	24	84,2	47,5	28,5	13	104	12,7	10
06502-2210	square socket	100	29	104,2	58,5	35,5	13	129	15,7	10
06502-2212	square socket	100	29	104,2	58,5	35,5	13	129	15,7	12
06502-2312	square socket	125	36	139	82	44	18,5	161	19,5	12
06502-2314	square socket	125	36	139	82	44	18,5	161	19,5	14