

Crank handles

with fold-away grip



Material:

Black grey thermoplastic.

Version:

Steel parts black oxidised.

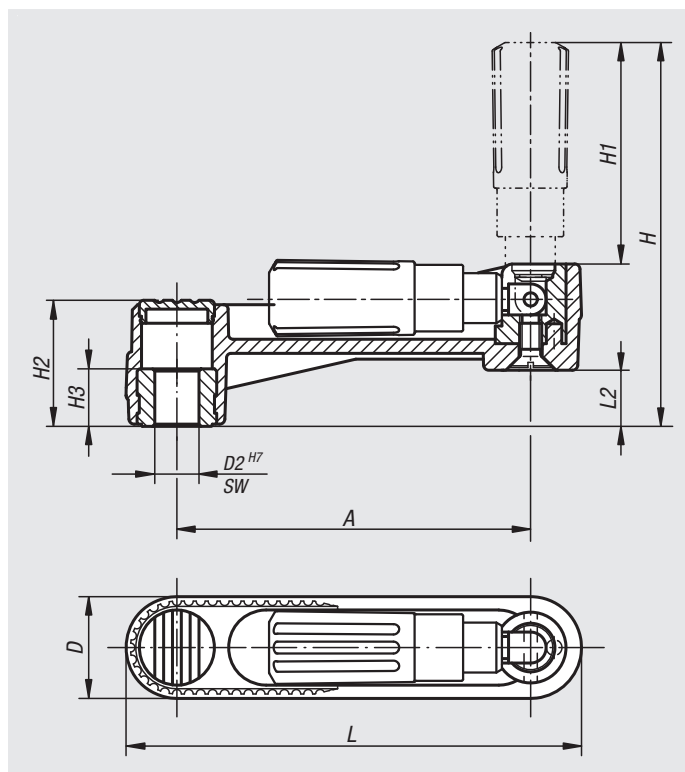
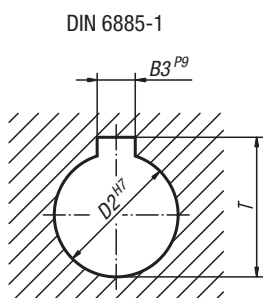
Sample order:

nIm 06500-1108

Note:

The hub cap is supplied loose.

The crank handle can be secured to a shaft using a transverse pin or by parallel key connection together with a DIN 6912 socket head screw and a DIN 7349 washer.



Order No.	Version 1	A	D	D2	H	H1	H2	H3	L	L2
06500-1108	reamed hole	80	24	8	85,7	49	28,5	13	104	12,7
06500-1110	reamed hole	80	24	10	85,7	49	28,5	13	104	12,7
06500-1210	reamed hole	100	29	10	105,2	49	35,5	13	129	15,7
06500-1212	reamed hole	100	29	12	105,2	59,5	35,5	13	129	15,7
06500-1312	reamed hole	125	36	12	140	83	44	18,5	161	19,5
06500-1314	reamed hole	125	36	14	140	83	44	18,5	161	19,5

Order No.	Version 1	A	B3	D	D2	H	H1	H2	H3	L	L2	T
06500-110802	reamed hole with slot	80	2	24	8	85,7	49	28,5	13	104	12,7	9
06500-111003	reamed hole with slot	80	3	24	10	85,7	49	28,5	13	104	12,7	11,4
06500-121003	reamed hole with slot	100	3	29	10	105,2	59,5	35,5	13	129	15,7	11,4
06500-121204	reamed hole with slot	100	4	29	12	105,2	59,5	35,5	13	129	15,7	13,8
06500-131204	reamed hole with slot	125	4	36	12	140	83	44	18,5	161	19,5	13,8
06500-131405	reamed hole with slot	125	5	36	14	140	83	44	18,5	161	19,5	16,3

Order No.	Version 1	A	D	H	H1	H2	H3	L	L2	SW
06500-2108	square socket	80	24	85,7	49	28,5	13	104	12,7	8
06500-2110	square socket	80	24	85,7	49	28,5	13	104	12,7	10
06500-2210	square socket	100	29	105,2	59,5	35,5	13	129	15,7	10
06500-2212	square socket	100	29	105,2	59,5	35,5	13	129	15,7	12
06500-2312	square socket	125	36	140	83	44	18,5	161	19,5	12
06500-2314	square socket	125	36	140	83	44	18,5	161	19,5	14

Crank handles

with revolving grip



Material:

Black grey thermoplastic.

Version:

Steel parts black oxidised.

Sample order:

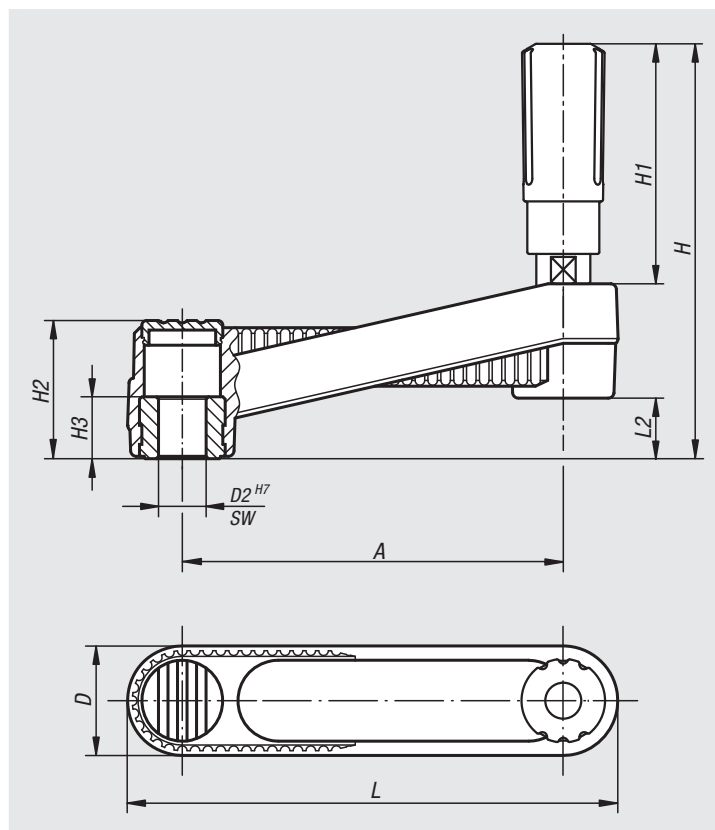
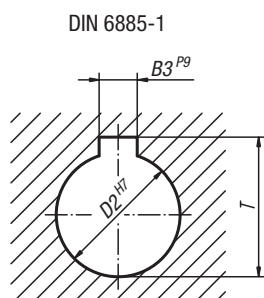
nlm 06500-3108

Note:

The hub cap and the revolving grip are supplied loose.

To assemble the handle simply screw the grip into the existing hole.

The crank handles can be secured to a shaft by using a transverse pin or by parallel key connection together with a DIN 6912 cap screw and a DIN 7349 washer.



Order No.	Version 1	A	D	D2	H	H1	H2	H3	L	L2
06500-3108	reamed hole	80	24	8	85,8	49,1	28,5	13	104	12,7
06500-3110	reamed hole	80	24	10	85,8	49,1	28,5	13	104	12,7
06500-3210	reamed hole	100	29	10	107,1	61,4	35,5	13	129	15,7
06500-3212	reamed hole	100	29	12	107,1	61,4	35,5	13	129	15,7
06500-3312	reamed hole	125	36	12	139,5	82,5	44	18,5	161	19,5
06500-3314	reamed hole	125	36	14	139,5	82,5	44	18,5	161	19,5

Order No.	Version 1	A	B3	D	D2	H	H1	H2	H3	L	L2	T
06500-310802	reamed hole with slot	80	2	24	8	85,8	49,1	28,5	13	104	12,7	9
06500-311003	reamed hole with slot	80	3	24	10	85,8	49,1	28,5	13	104	12,7	11,4
06500-321003	reamed hole with slot	100	3	29	10	107,1	61,4	35,5	13	129	15,7	11,4
06500-321204	reamed hole with slot	100	4	29	12	107,1	61,4	35,5	13	129	15,7	13,8
06500-331204	reamed hole with slot	125	4	36	12	139,5	82,5	44	18,5	161	19,5	13,8
06500-331405	reamed hole with slot	125	5	36	14	139,5	82,5	44	18,5	161	19,5	16,3

Order No.	Version 1	A	D	H	H1	H2	H3	L	L2	SW
06500-4108	square socket	80	24	85,8	49,1	28,5	13	104	12,7	8
06500-4110	square socket	80	24	85,8	49,1	28,5	13	104	12,7	10
06500-4210	square socket	100	29	107,1	61,4	35,5	13	129	15,7	10
06500-4212	square socket	100	29	107,1	61,4	35,5	13	129	15,7	12
06500-4312	square socket	125	36	139,5	82,5	44	18,5	161	19,5	12
06500-4314	square socket	125	36	139,5	82,5	44	18,5	161	19,5	14