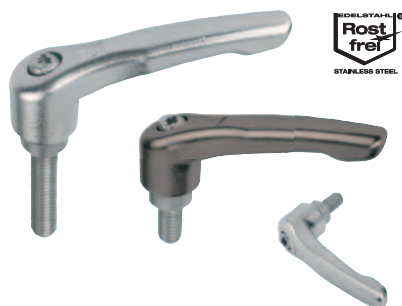


Clamping levers

with external thread, stainless steel



Material:

Handle investment cast 1.4308.
Other steel parts 1.4305.

Version:

Handle electropolished or blasted.
Metal parts bright.

Sample order:

nIm 06464-105X10 (include length L)

Note:

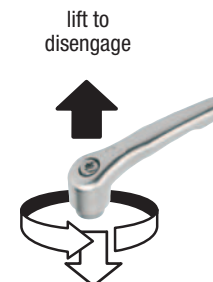
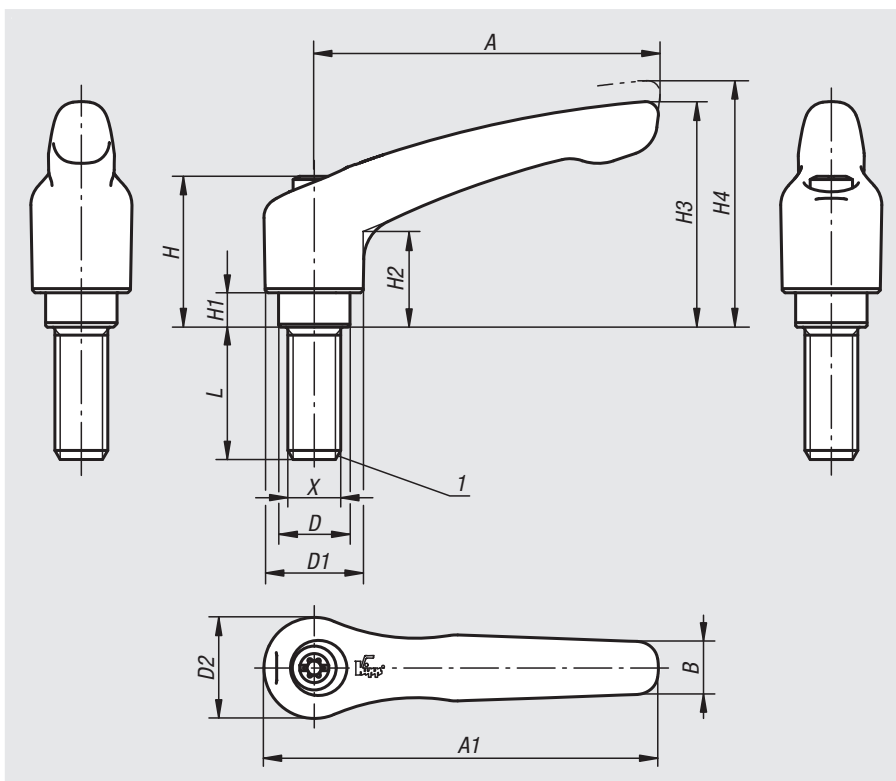
Where $L \geq 60$ mm the thread length is always 60 mm.

On request:

Other threads, screw lengths and special versions.
Dimension "H1" available in other lengths at extra charge.

Drawing reference:

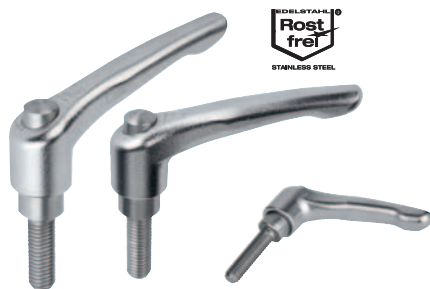
1) flat point DIN 78



Order No.	Main colour	X	A	A1	B	D	D1	D2	H	H1	H2	H3	H4	No. of teeth	L
06464-105X	electropolished	M5	40	47	7	10	13	14	24,5	4	14,5	31	34	16	10/15/20/25
06464-106X	electropolished	M6	40	47	7	10	13	14	24,5	4	14,5	31	34	16	10/15/20/25/30/40/50
06464-206X	electropolished	M6	65	74,5	10	13,5	18,5	19	28,5	6,5	17,5	42,5	45,5	20	15/20/25/30/40/50/60
06464-208X	electropolished	M8	65	74,5	10	13,5	18,5	19	28,5	6,5	17,5	42,5	45,5	20	15/20/25/30/40/50/60
06464-210X	electropolished	M10	65	74,5	10	13,5	18,5	19	28,5	6,5	17,5	42,5	45,5	20	20/25/30/40/50/60
06464-308X	electropolished	M8	80	91	11	16	21	22	37	10	24	54,5	58,5	22	20/25/30/40/50/60
06464-310X	electropolished	M10	80	91	11	16	21	22	37	10	24	54,5	58,5	22	20/25/30/40/50/60
06464-412X	electropolished	M12	95	109	13	19	27	27,5	43	10	27	63	67,5	24	25/30/40/50/60
06464-516X	electropolished	M16	110	126	15	23	31	32	49	12	31,5	73	77,5	26	30/40/50/60
06464-105153X	blasted	M5	40	47	7	10	13	14	24,5	4	14,5	31	34	16	10/15/20/25
06464-106153X	blasted	M6	40	47	7	10	13	14	24,5	4	14,5	31	34	16	10/15/20/25/30/40/50
06464-206153X	blasted	M6	65	74,5	10	13,5	18,5	19	28,5	6,5	17,5	42,5	45,5	20	15/20/25/30/40/50/60
06464-208153X	blasted	M8	65	74,5	10	13,5	18,5	19	28,5	6,5	17,5	42,5	45,5	20	15/20/25/30/40/50/60
06464-210153X	blasted	M10	65	74,5	10	13,5	18,5	19	28,5	6,5	17,5	42,5	45,5	20	20/25/30/40/50/60
06464-308153X	blasted	M8	80	91	11	16	21	22	37	10	24	54,5	58,5	22	20/25/30/40/50/60
06464-310153X	blasted	M10	80	91	11	16	21	22	37	10	24	54,5	58,5	22	20/25/30/40/50/60
06464-412153X	blasted	M12	95	109	13	19	27	27,5	43	10	27	63	67,5	24	25/30/40/50/60
06464-516153X	blasted	M16	110	126	15	23	31	32	49	12	31,5	73	77,5	26	30/40/50/60

Clamping levers with protective cap

with external thread, stainless steel



Material:

Handle investment cast 1.4308.

Other steel parts 1.4305.

Version:

Handle electropolished.

Steel parts bright.

Sample order:

nIm 06464-9208X30 (include length L)

Note:

Where $L \geq 60$ mm the thread length is always 60 mm.

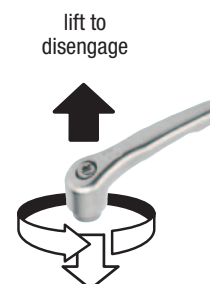
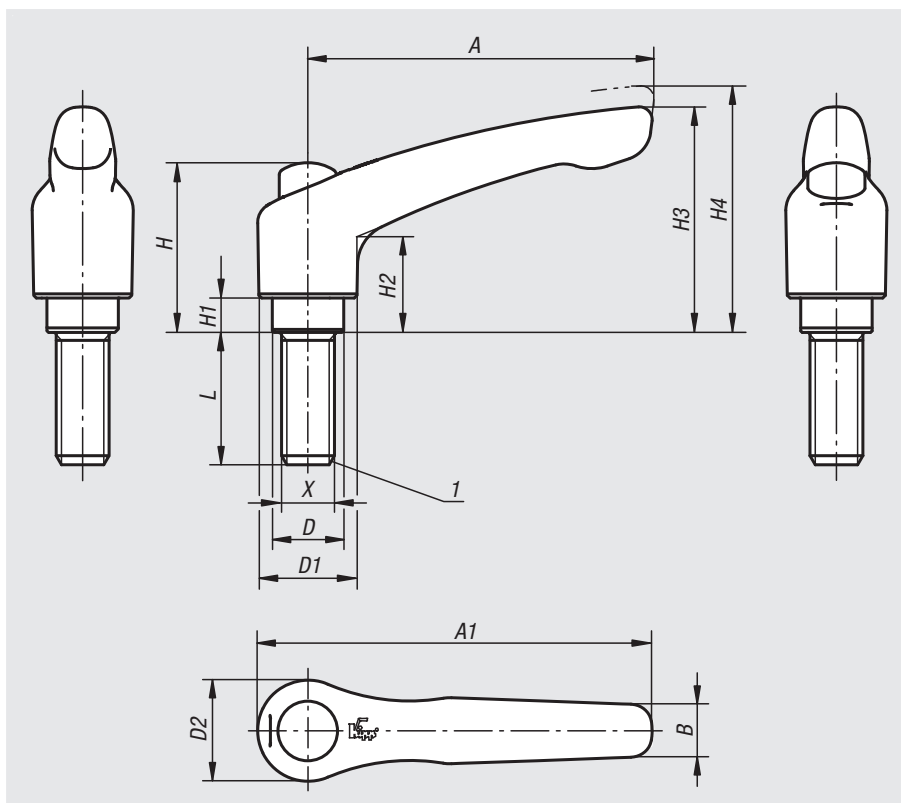
On request:

Other threads, screw lengths and special versions.

Dimension "H1" available in other lengths at extra charge.

Drawing reference:

1) flat point DIN 78



Order No.	X	A	A1	B	D	D1	D2	H	H1	H2	H3	H4	No. of teeth	L
06464-9206X	M6	65	74,5	10	13,5	18,5	19	32	6,5	17,5	42,5	45,5	20	15/20/25/30/40/50/60
06464-9208X	M8	65	74,5	10	13,5	18,5	19	32	6,5	17,5	42,5	45,5	20	15/20/25/30/40/50/60
06464-9210X	M10	65	74,5	10	13,5	18,5	19	32	6,5	17,5	42,5	45,5	20	20/25/30/40/50/60
06464-9308X	M8	80	91	11	16	21	22	41,5	10	24	54,5	58,5	22	20/25/30/40/50/60
06464-9310X	M10	80	91	11	16	21	22	41,5	10	24	54,5	58,5	22	20/25/30/40/50/60