

# Clamping levers

external thread, steel parts stainless steel



**Material:**

Handle die-cast zinc DIN EN 12844.  
Steel parts stainless steel 1.4305.

**Version:**

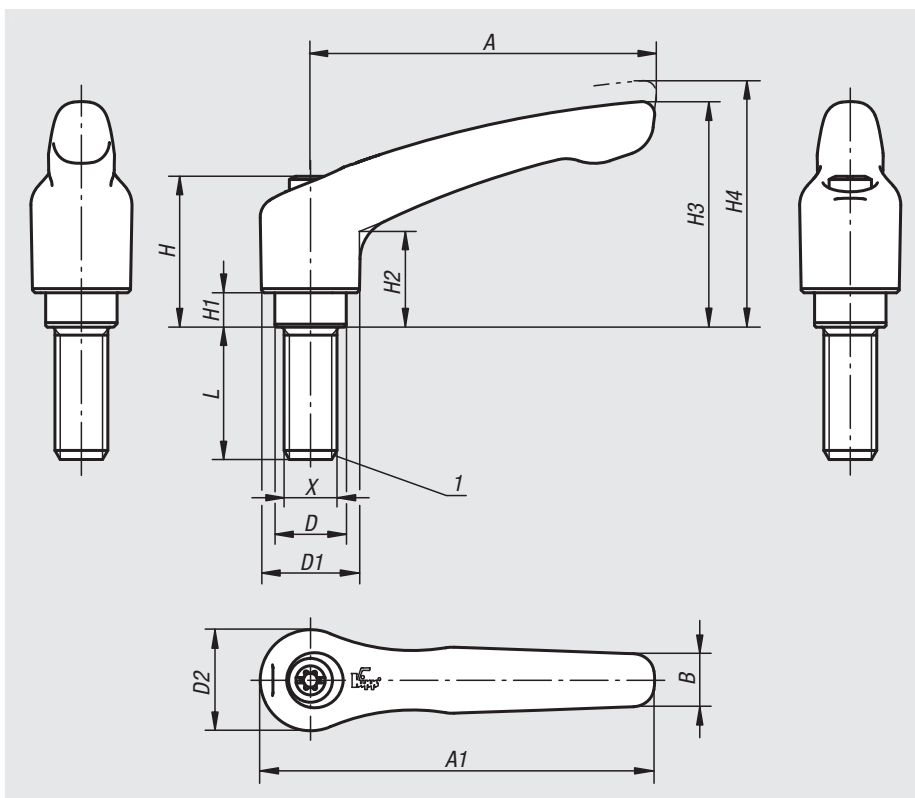
Handle powder-coated or high-gloss chromed.  
Steel parts bright.

**Sample order:**

n1m 06461-1051X25 (clamping lever, black satin finish; include length L)

**Note:**

Δ Add the desired lever colour here.  
Standard colours are:  
black satin finish, orange RAL 2004, ruby red RAL 3003, silver metallic, high gloss chromed.



Where L ≥ 60 mm the thread length is 60 mm.

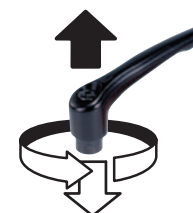
**On request:**

Other threads, screw lengths, colours and special versions.  
Dimension "H1" available in other lengths at extra charge.

**Drawing reference:**

1) flat point DIN 78

lift to disengage



Order No.	X	A	A1	B	D	D1	D2	H	H1	H2	H3	H4	No. of teeth	L
06461-004ΔX	M4	30	37	7	10	13	14	24,5	4	-	-	33	16	10/15/20/25
06461-005ΔX	M5	30	37	7	10	13	14	24,5	4	14,5	30	33	16	10/15/20/25
06461-105ΔX	M5	40	47	7	10	13	14	24,5	4	14,5	31	34	16	10/15/20/25
06461-106ΔX	M6	40	47	7	10	13	14	24,5	4	14,5	31	34	16	10/15/20/25/30/40/50
06461-206ΔX	M6	65	74,5	9,5	13,5	18,5	19	28,5	6,5	17,5	42,5	45,5	20	15/20/25/30/40/50/60
06461-208ΔX	M8	65	74,5	9,5	13,5	18,5	19	28,5	6,5	17,5	42,5	45,5	20	15/20/25/30/40/50/60
06461-210ΔX	M10	65	74,5	9,5	13,5	18,5	19	28,5	6,5	17,5	42,5	45,5	20	20/25/30/40/50/60
06461-308ΔX	M8	80	91	11	16	21	22	37	10	24	54,5	58,5	22	20/25/30/40/50/60
06461-310ΔX	M10	80	91	11	16	21	22	37	10	24	54,5	58,5	22	20/25/30/40/50/60
06461-412ΔX	M12	95	109	13	19	27	27,5	43	10	27	63	67,5	24	25/30/40/50/60
06461-516ΔX	M16	110	126	15	23	31	32	49	12	31,5	73	77,5	26	30/40/50/60

# Clamping levers with protective cap

with external thread, metal parts stainless steel



**Material:**

Handle die-cast zinc DIN EN 12844.  
Steel parts and cap 1.4305 stainless steel.

**Version:**

Handle powder-coated.  
Stainless steel parts bright.

**Sample order:**

nIm 06461-92081X30 (include length L)

**Note:**

Standard colours are:  
black satin finish, orange RAL 2004.

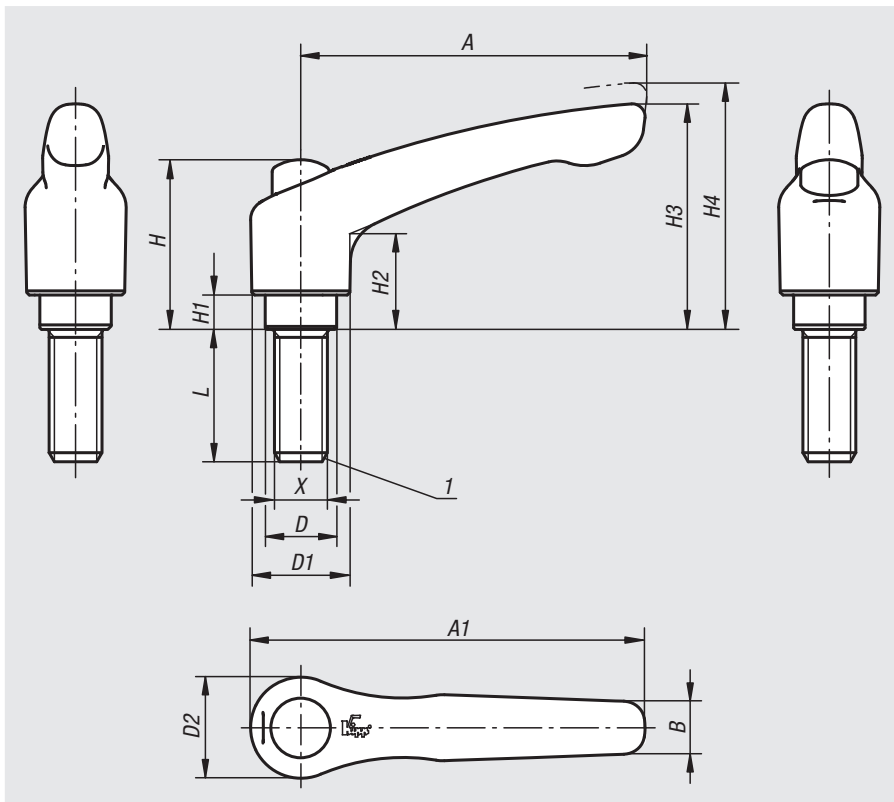
Where L is  $\geq 60$  mm the thread length is 60 mm.

**On request:**

Other threads, screw lengths, colours and special versions.  
Dimension "H1" available in other lengths at extra charge.

**Drawing reference:**

1) flat point DIN 78



**Specifications**

Size	X	A	A1	B	D	D1	D2	H	H1	H2	H3	H4	No. of teeth
2	M6/M8/M10	65	74,5	9,5	13,5	18,5	19	32	6,5	17,5	42,5	45,5	20
3	M8/M10	80	91	11	16	21	22	41,5	10	24	54,5	58,5	22

Order No. black	Order No. orange RAL 2004	Size	X	L
06461-92061X	06461-92062X	2	M6	15/20/25/30/40/50/60
06461-92081X	06461-92082X	2	M8	15/20/25/30/40/50/60
06461-92101X	06461-92102X	2	M10	20/25/30/40/50/60
06461-93081X	06461-93082X	3	M8	20/25/30/40/50/60
06461-93101X	06461-93102X	3	M10	20/25/30/40/50/60

01000  
02000  
03000  
04000  
05000  
06000  
07000  
08000  
09000  
10000  
12000