

## Clamping levers, zinc

with male thread and clamping force intensifier



By using clamping levers with integrated clamping force intensifier, the clamping force can be increased by up to 75% compared to standard clamping levers.

Furthermore, this product can also be used by persons with limited hand strength (e.g. in rehabilitation) to achieve comparable clamping forces with less effort. Less effort is also needed to loosen the clamping lever.

The increase in clamping force is achieved by the integral needle roller thrust bearing, which generates very low surface friction on a rigid contact surface during clamping. The hardened thrust washers are designed for high clamping forces and the bearing with its high load rating guarantees a long service life.

The clamped component is permanently protected by the large, stationary contact surface. A washer is no longer required.

Due to the modular construction many special designs are available.

### Material:

Handle die-cast zinc DIN EN 12844.

Steel parts stainless steel 1.4305.

### Version:

Handle plastic-coated or high-gloss trivalent passivated

Steel parts bright.

Axial needle bearing with hardened and ground thrust washer.

### Sample order:

nIm 06461-10-5121X20 (clamping lever, black satin finish; include length L)

### Note:

Δ Add the desired lever colour here.

Standard colours are:

black satin finish, orange RAL 2004, ruby red RAL 3003, silver metallic, high gloss chromed.

### Method of operation:

In the default position, the handle is engaged with the threaded insert through a toothed ring. By lifting the handle, it can be repositioned and re-engaged in the toothed ring by spring force.

### Application:

Machine, equipment and plant construction, rehabilitation sector.

### Advantages:

Significant increase of the clamping force with the same tightening torque.

High quality axial needle bearing with high load rating and long service life.

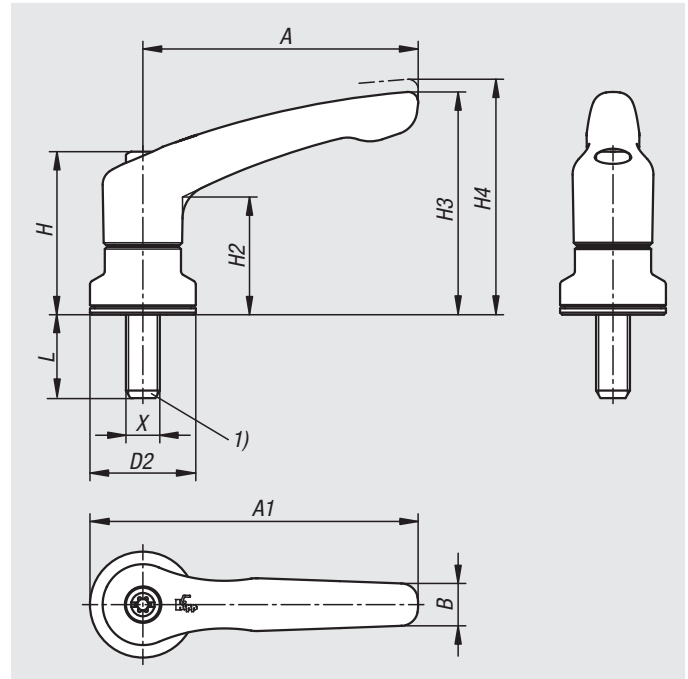
The component surface is protected by the stationary lower ring

### On request:

Other colours and thread lengths.

### Drawing reference:

1) flat point DIN 78



# Clamping levers, zinc

with male thread and clamping force intensifier



01000

02000

03000

04000

05000

06000

07000

08000

09000

10000

12000



Order No.	X	D2	H	H2	H3	H4	A	A1	B	L
06461-10-208ΔX	M8	25	38,5	27,7	52,6	55,6	65	77,5	10	10/20/30/40
06461-10-310ΔX	M10	30	47	33,9	64,6	68,6	80	95	11,2	15/30/40/50
06461-10-410ΔX	M10	30	53,1	37,2	72,8	77,3	95	110	13,2	20/30/40/50
06461-10-512ΔX	M12	35	59,1	41,9	83	87,5	110	127,5	15,4	20/30/40/50