

Clamping levers

external thread



Material:

Handle die-cast zinc DIN EN 12844.
Steel parts grade 5.8.

Version:

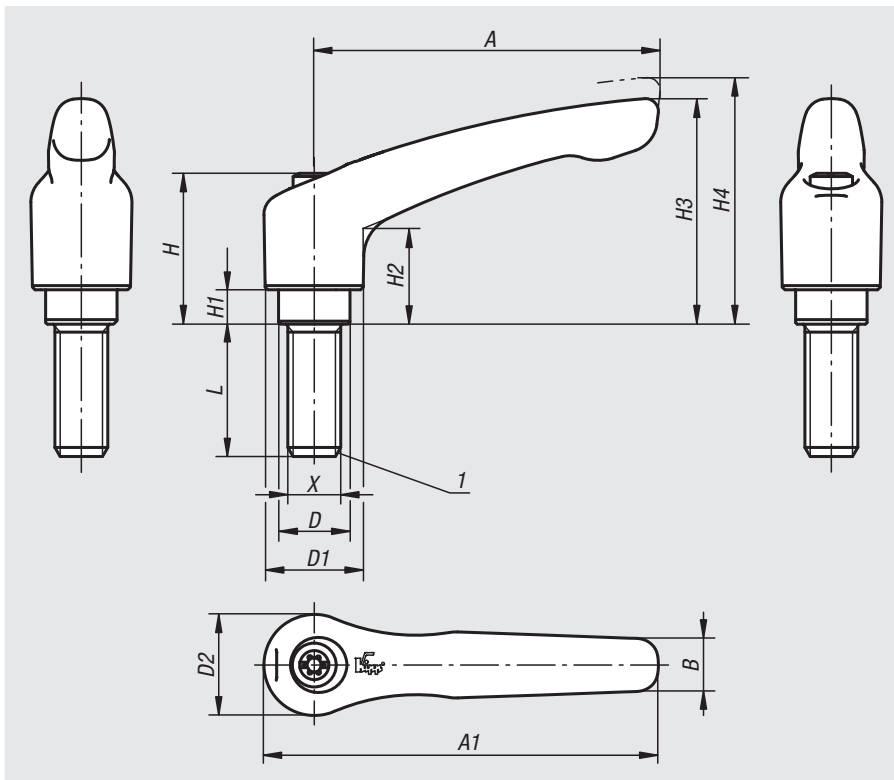
Handle powder-coated or high-gloss chromed.
Steel parts black oxidised.

Sample order:

nIm 06460-0041X10 (clamping lever, black satin finish; include length L)

Note:

Δ Add the desired lever colour here.
Standard colours are:
black satin finish, orange RAL 2004, ruby red RAL 3003, silver metallic, high gloss chromed.



Where $L \geq 60$ mm the thread length is 60 mm.

On request:

Other threads, screw lengths, colours and special versions.
Dimension "H1" available in other lengths at extra charge.

Drawing reference:

1) flat point DIN 78

lift to disengage



Order No.	X	A	A1	B	D	D1	D2	H	H1	H2	H3	H4	No. of teeth	L
06460-004ΔX	M4	30	37	7	10	13	14	24,5	4	14,5	30	33	16	10/15/20/25/30/35/40/45/50
06460-005ΔX	M5	30	37	7	10	13	14	24,5	4	14,5	30	33	16	10/15/20/25/30/35/40/45/50
06460-105ΔX	M5	40	47	7	10	13	14	24,5	4	14,5	31	34	16	10/15/20/25/30/35/40/45/50
06460-106ΔX	M6	40	47	7	10	13	14	24,5	4	14,5	31	34	16	10/15/20/25/30/35/40/45/50
06460-206ΔX	M6	65	74,5	9,5	13,5	18,5	19	28,5	6,5	17,5	42,5	45,5	20	15/20/25/30/35/40/45/50/55/60
06460-208ΔX	M8	65	74,5	9,5	13,5	18,5	19	28,5	6,5	17,5	42,5	45,5	20	15/20/25/30/35/40/45/50/55/60
06460-210ΔX	M10	65	74,5	9,5	13,5	18,5	19	28,5	6,5	17,5	42,5	45,5	20	15/20/25/30/35/40/45/50/55/60
06460-308ΔX	M8	80	91	11	16	21	22	37	10	24	54,5	58,5	22	15/20/25/30/35/40/45/50/55/60
06460-310ΔX	M10	80	91	11	16	21	22	37	10	24	54,5	58,5	22	15/20/25/30/35/40/45/50/55/60
06460-410ΔX	M10	95	109	13	19	27	27,5	43	10	27	63	67,5	24	20/25/30/35/40/45/50/55/60/70/80/90
06460-412ΔX	M12	95	109	13	19	27	27,5	43	10	27	63	67,5	24	20/25/30/35/40/45/50/55/60/70/80/90
06460-512ΔX	M12	110	126	15	23	31	32	49	12	31,5	73	77,5	26	25/30/35/40/45/50/55/60/70/80/90
06460-516ΔX	M16	110	126	15	23	31	32	49	12	31,5	73	77,5	26	25/30/35/40/45/50/55/60/70/80/90

01000
02000
03000
04000
05000
06000
07000
08000
09000
10000
12000

Clamping levers with protective cap

external thread



Material:

Handle die-cast zinc DIN EN 12844.
Steel parts grade 5.8.
Protective cap stainless steel 1.4305.

Version:

Handle powder-coated.
Steel parts black oxidised.
Caps bright stainless steel.

Sample order:

nIm 06460-92081X30 (include length L)

Note:

Standard colours are:
black satin finish, orange RAL 2004.

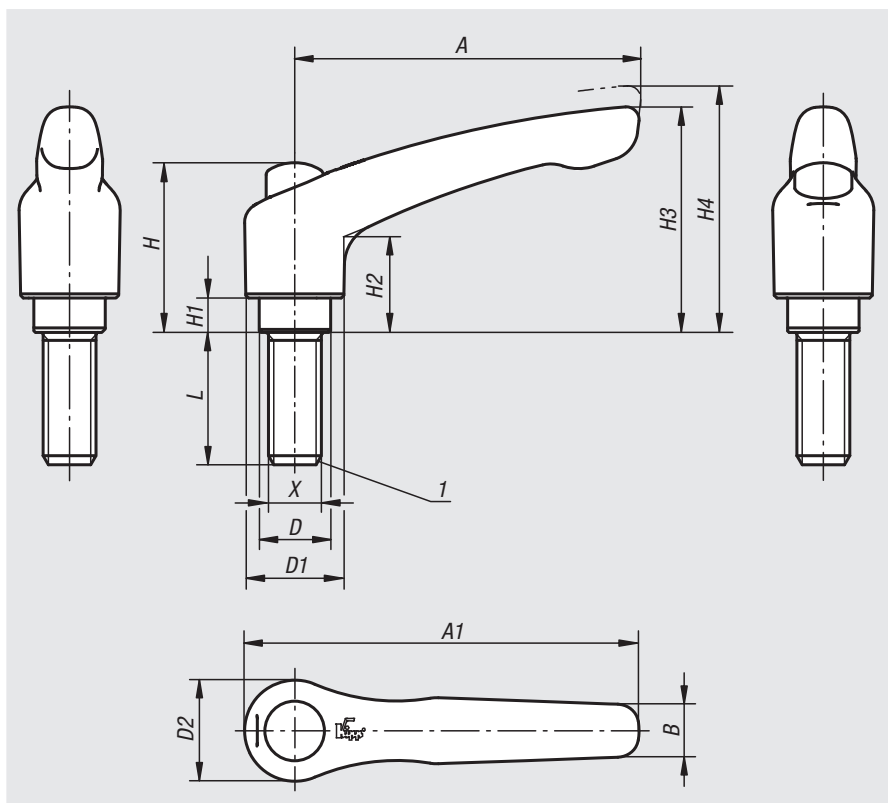
Where L is ≥ 60 mm the thread length is 60 mm.

On request:

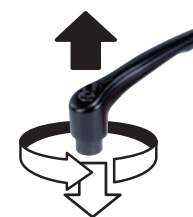
Other threads, screw lengths, colours and special versions.
Dimension "H1" available in other lengths at extra charge.

Drawing reference:

1) flat point DIN 78



lift to
disengage



Specifications

Size	X	A	A1	B	D	D1	D2	H	H1	H2	H3	H4	No. of teeth
2	M6/M8/M10	65	74,5	9,5	13,5	18,5	19	32	6,5	17,5	42,5	45,5	20
3	M8/M10	80	91	11	16	21	22	41,5	10	24	54,5	58,5	22

Order No. black	Order No. orange RAL 2004	Size	X	L
06460-92061X	06460-92062X	2	M6	15/20/25/30/35/40/45/50/55/60
06460-92081X	06460-92082X	2	M8	15/20/25/30/35/40/45/50/55/60
06460-92101X	06460-92102X	2	M10	15/20/25/30/35/40/45/50/55/60
06460-93081X	06460-93082X	3	M8	15/20/25/30/35/40/45/50/55/60
06460-93101X	06460-93102X	3	M10	15/20/25/30/35/40/45/50/55/60