

Clamping levers flat

external thread, steel parts stainless steel



Material:

Handle die-cast zinc DIN EN 12844.
Steel parts stainless steel 1.4305.

Version:

Handle powder-coated.
Stainless steel parts bright.

Sample order:

nIm 06459-2061X15 (include length L)

Note:

Standard colours are:
black satin finish, orange RAL 2004.

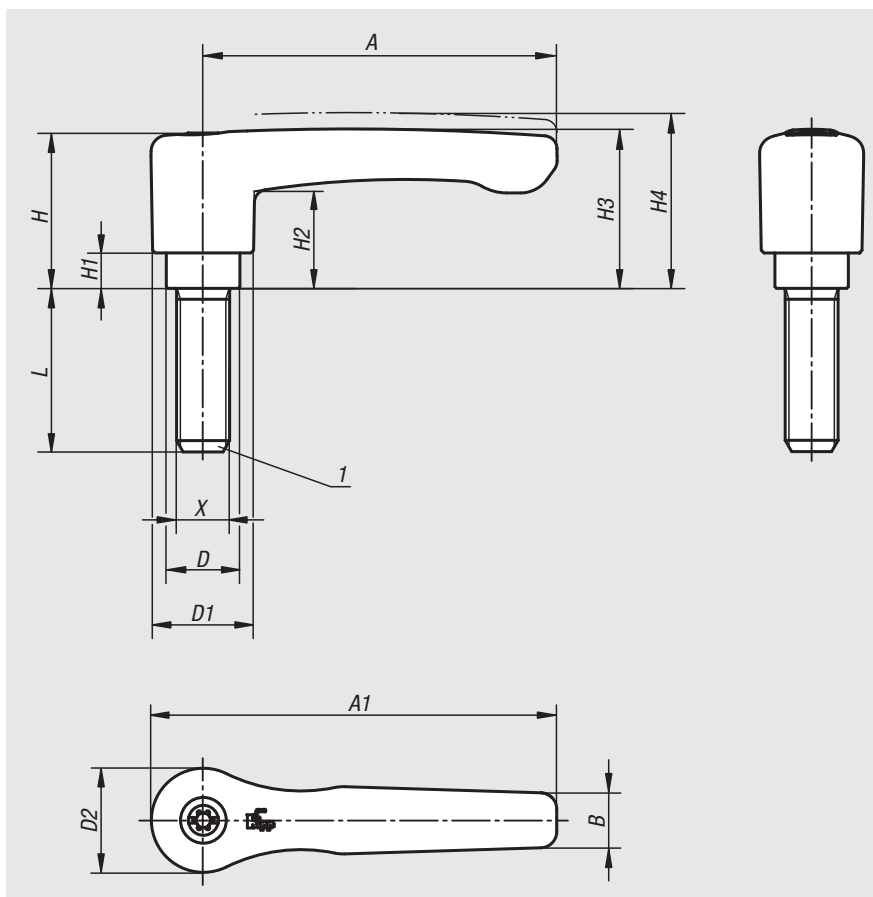
Where $L \geq 60$ mm the thread length is 60 mm.

On request:

Other threads, screw lengths, colours and special versions.
Dimension "H1" available in other lengths at extra charge.

Drawing reference:

1) flat point DIN 78



lift to
disengage



Order No. black	Order No. orange RAL 2004	X	A	A1	D	D1	D2	H	H1	H2	H3	H4	B	No. of teeth	L
06459-2061X	06459-2062X	M6	65	74,5	13,5	18,5	19,1	28,5	6,5	17,8	29,2	32,2	10,1	20	15/20/25/30/40/50/60
06459-2081X	06459-2082X	M8	65	74,5	13,5	18,5	19,1	28,5	6,5	17,8	29,2	32,2	10,1	20	15/20/25/30/40/50/60
06459-2101X	06459-2102X	M10	65	74,5	13,5	18,5	19,1	28,5	6,5	17,8	29,2	32,2	10,1	20	20/25/30/40/50/60
06459-3081X	06459-3082X	M8	80	91	16	21,2	22	37	10	23,8	38	42	11,7	22	20/25/30/40/50/60
06459-3101X	06459-3102X	M10	80	91	16	21,2	22	37	10	23,8	38	42	11,7	22	20/25/30/40/50/60