

Clamping levers flat

external thread



Material:

Handle die-cast zinc DIN EN 12844.
Steel parts grade 5.8.

Version:

Handle powder-coated.
Steel parts black oxidised.

Sample order:

nIm 06458-2061X15 (include length L)

Note:

Standard colours are:
black satin finish, orange RAL 2004.

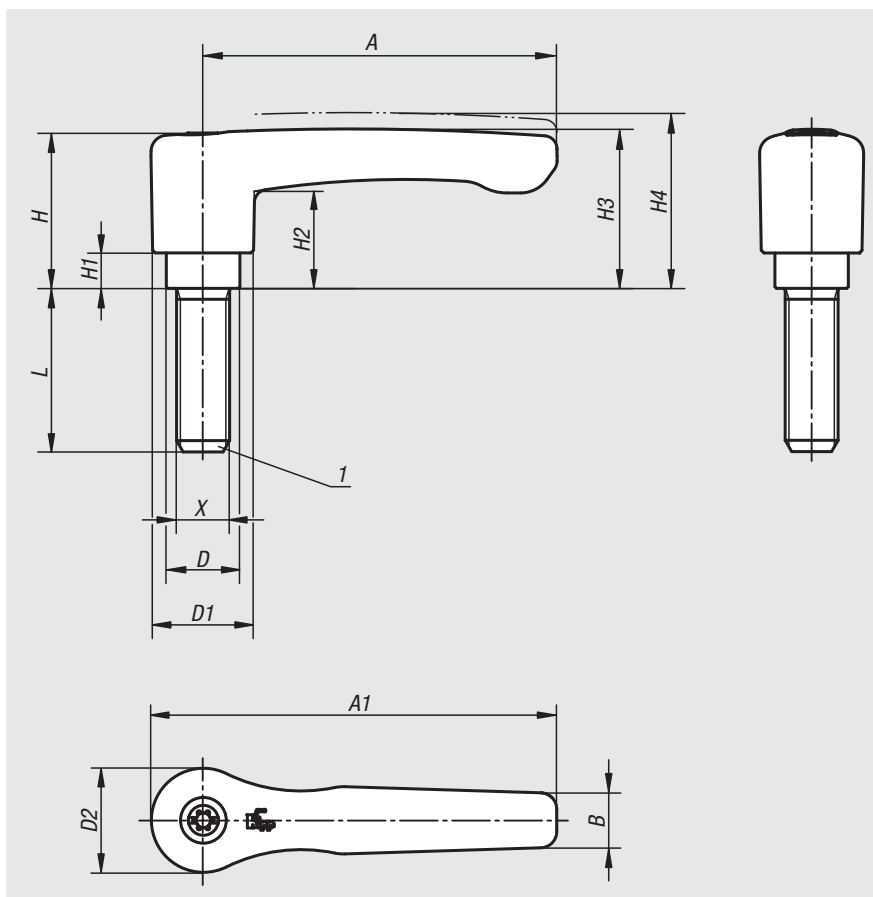
Where $L \geq 60$ mm the thread length is 60 mm.

On request:

Other threads, screw lengths, colours and special versions.
Dimension "H1" available in other lengths at extra charge.

Drawing reference:

1) flat point DIN 78



Order No. black	Order No. orange RAL 2004	X	A	A1	B	D	D1	D2	H	H1	H2	H3	H4	No. of teeth	L
06458-2061X	06458-2062X	M6	65	74,5	10,1	13,5	18,5	19,1	28,5	6,5	17,8	29,2	32,2	20	15/20/25/30/35/40/45/50/55/60
06458-2081X	06458-2082X	M8	65	74,5	10,1	13,5	18,5	19,1	28,5	6,5	17,8	29,2	32,2	20	15/20/25/30/35/40/45/50/55/60
06458-2101X	06458-2102X	M10	65	74,5	10,1	13,5	18,5	19,1	28,5	6,5	17,8	29,2	32,2	20	15/20/25/30/35/40/45/50/55/60
06458-3081X	06458-3082X	M8	80	91	11,7	16	21,2	22	37	10	23,8	38	42	22	15/20/25/30/35/40/45/50/55/60
06458-3101X	06458-3102X	M10	80	91	11,7	16	21,2	22	37	10	23,8	38	42	22	15/20/25/30/35/40/45/50/55/60

01000
02000
03000
04000
05000
06000
07000
08000
09000
10000
12000