

Clamping levers

internal thread, steel parts stainless steel



Material:

Handle die-cast zinc DIN EN 12844.
Steel parts stainless steel 1.4305.

Version:

Handle powder-coated or high-gloss chromed.
Steel parts bright.

Sample order:

nIm 06451-1051 (clamping lever, black satin finish)

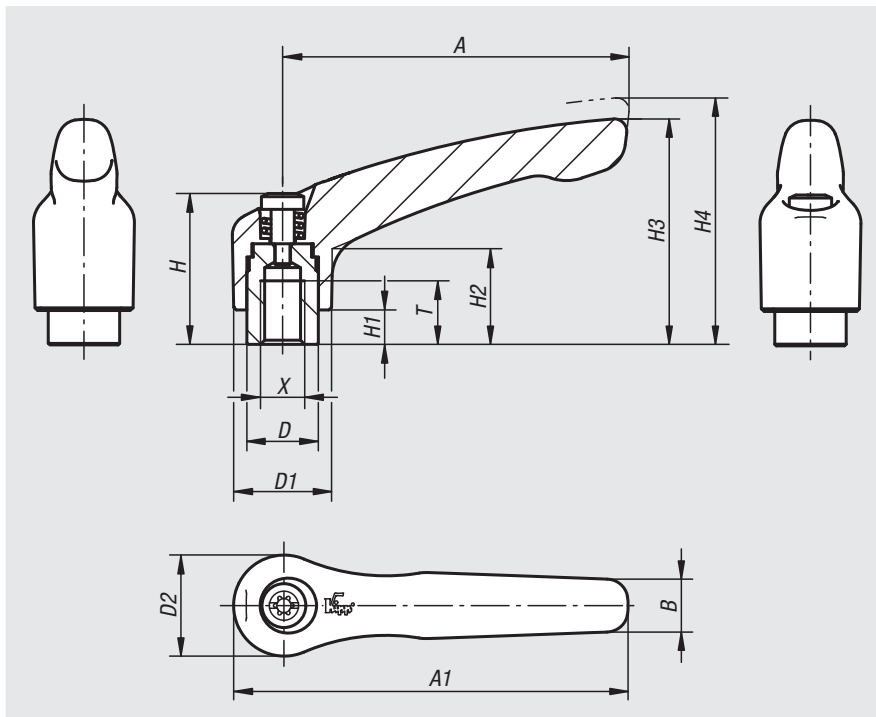
Note:

Δ Add the desired lever colour here.
Standard colours are:
black satin finish, orange RAL 2004, ruby red RAL 3003,
silver metallic, high gloss chromed.

Where $L \geq 60$ mm the thread length is 60 mm.

On request:

Other threads, colours and special versions.
Dimension "H1" available in other lengths at extra charge.



lift to disengage



Order No.	X	A	A1	B	D	D1	D2	H	H1	H2	H3	H4	T	No. of teeth
06451-003Δ	M3	30	37	7	10	13	14	24,5	4	14,5	30	33	9	16
06451-004Δ	M4	30	37	7	10	13	14	24,5	4	14,5	30	33	9	16
06451-005Δ	M5	30	37	7	10	13	14	24,5	4	14,5	30	33	9	16
06451-104Δ	M4	40	47	7	10	13	14	24,5	4	14,5	31	34	9	16
06451-105Δ	M5	40	47	7	10	13	14	24,5	4	14,5	31	34	9	16
06451-106Δ	M6	40	47	7	10	13	14	24,5	4	14,5	31	34	9	16
06451-206Δ	M6	65	74,5	9,5	13,5	18,5	19	28,5	6,5	17,5	42,5	45,5	12	20
06451-208Δ	M8	65	74,5	9,5	13,5	18,5	19	28,5	6,5	17,5	42,5	45,5	12	20
06451-308Δ	M8	80	91	11	16	21	22	37	10	24	54,5	58,5	14	22
06451-310Δ	M10	80	91	11	16	21	22	37	10	24	54,5	58,5	14	22
06451-410Δ	M10	95	109	13	19	27	27,5	43	10	27	63	67,5	17	24
06451-412Δ	M12	95	109	13	19	27	27,5	43	10	27	63	67,5	17	24
06451-512Δ	M12	110	126	15	23	31	32	49	12	31,5	73	77,5	23	26
06451-516Δ	M16	110	126	15	23	31	32	49	12	31,5	73	77,5	23	26

Clamping levers with protective cap

internal thread, steel parts stainless steel



Material:

Handle die-cast zinc DIN EN 12844.
Steel parts and cap 1.4305 stainless steel.

Version:

Handle powder-coated.
Stainless steel parts bright.

Sample order:

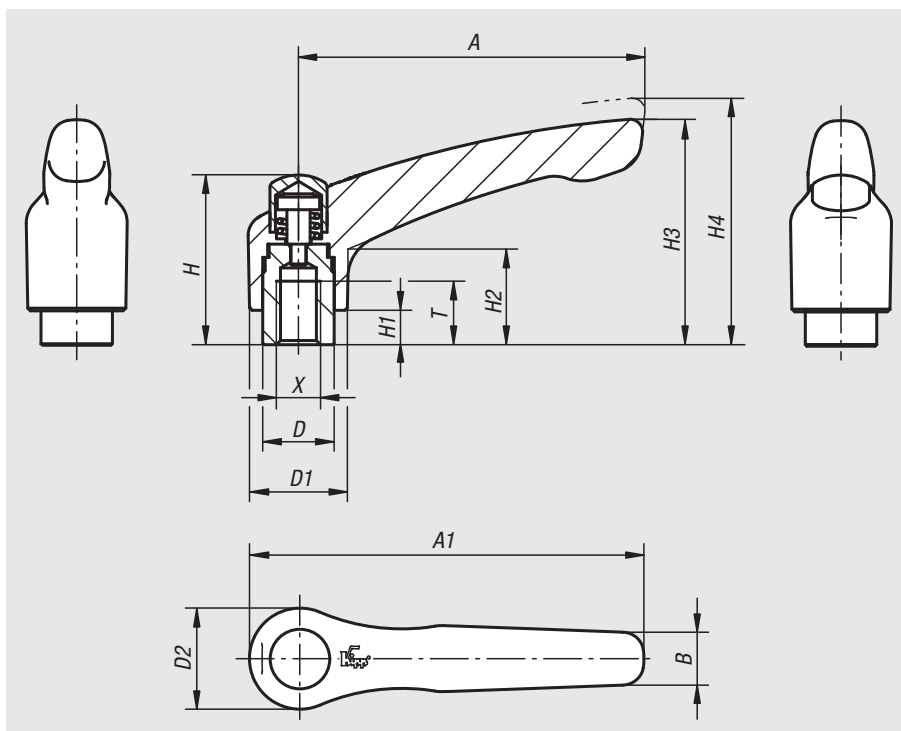
nln 06451-92081

Note:

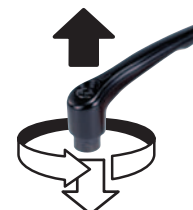
Standard colours are:
black satin finish, orange RAL 2004.

On request:

Other threads, colours and special versions.
Dimension "H1" available in other lengths at extra charge.



lift to
disengage



Order No. black	Order No. orange RAL 2004	X	A	A1	B	D	D1	D2	H	H1	H2	H3	H4	T	No. of teeth
06451-92061	06451-92062	M6	65	74,5	9,5	13,5	18,5	19	-	6,5	17,5	42,5	45,5	12	20
06451-92081	06451-92082	M8	65	74,5	9,5	13,5	18,5	19	-	6,5	17,5	42,5	45,5	12	20
06451-93081	06451-93082	M8	80	91	11	16	21	22	37	10	24	54,5	58,5	14	22
06451-93101	06451-93102	M10	80	91	11	16	21	22	37	10	24	54,5	58,5	14	22