

Clamping levers

internal thread



Material:

Handle die-cast zinc DIN EN 12844.
Steel parts grade 5.8.

Version:

Handle powder-coated or high-gloss chromed.
Steel parts black oxidised.

Sample order:

n1m 06450-1041 (clamping lever, black satin finish)

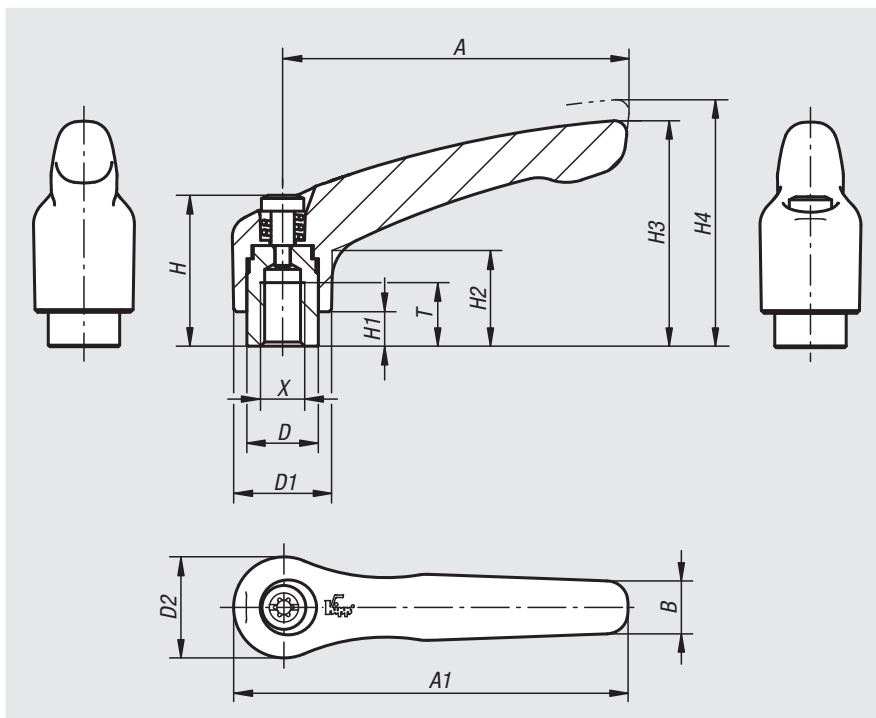
Note:

Δ Add the desired lever colour here.
Standard colours are:
black satin finish, orange RAL 2004, ruby red RAL 3003, silver metallic, high gloss chromed.

Where $L \geq 60$ mm the thread length is 60 mm.

On request:

Other threads, colours and special versions.
Dimension "H1" available in other lengths at extra charge.



lift to disengage



Order No.	X	A	A1	B	D	D1	D2	H	H1	H2	H3	H4	T	No. of teeth
06450-003Δ	M3	30	37	7	10	13	14	24,5	4	14,5	30	33	9	16
06450-004Δ	M4	30	37	7	10	13	14	24,5	4	14,5	30	33	9	16
06450-005Δ	M5	30	37	7	10	13	14	24,5	4	14,5	30	33	9	16
06450-104Δ	M4	40	47	7	10	13	14	24,5	4	14,5	31	34	9	16
06450-105Δ	M5	40	47	7	10	13	14	24,5	4	14,5	31	34	9	16
06450-106Δ	M6	40	47	7	10	13	14	24,5	4	14,5	31	34	9	16
06450-206Δ	M6	65	74,5	9,5	13,5	18,5	19	28,5	6,5	17,5	42,5	45,5	12	20
06450-208Δ	M8	65	74,5	9,5	13,5	18,5	19	28,5	6,5	17,5	42,5	45,5	12	20
06450-308Δ	M8	80	91	11	16	21	22	37	10	24	54,5	58,5	14	22
06450-310Δ	M10	80	91	11	16	21	22	37	10	24	54,5	58,5	14	22
06450-410Δ	M10	95	109	13	19	27	27,5	43	10	27	63	67,5	17	24
06450-412Δ	M12	95	109	13	19	27	27,5	43	10	27	63	67,5	17	24
06450-512Δ	M12	110	126	15	23	31	32	49	12	31,5	73	77,5	23	26
06450-516Δ	M16	110	126	15	23	31	32	49	12	31,5	73	77,5	23	26

Clamping levers with protective cap

internal thread



Material:

Handle die-cast zinc DIN EN 12844.
Steel parts grade 5.8.
Protective cap stainless steel 1.4305.

Version:

Handle powder-coated.
Steel parts black oxidised.
Caps bright stainless steel.

Sample order:

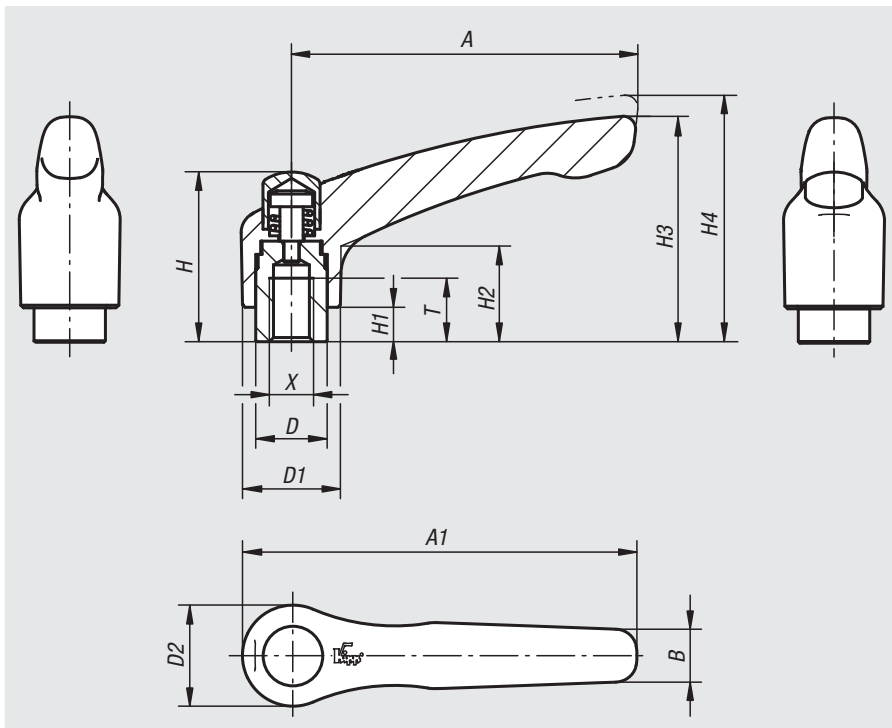
nIm 06450-92061

Note:

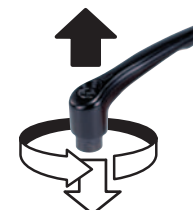
Standard colours are:
black satin finish, orange RAL 2004.

On request:

Other threads, colours and special versions.
Dimension "H1" available in other lengths at extra charge.



lift to disengage



Order No. black	Order No. orange RAL 2004	X	A	A1	B	D	D1	D2	H	H1	H2	H3	H4	T	No. of teeth
06450-92061	06450-92062	M6	65	74,5	9,5	13,5	18,5	19	-	6,5	17,5	42,5	45,5	12	20
06450-92081	06450-92082	M8	65	74,5	9,5	13,5	18,5	19	-	6,5	17,5	42,5	45,5	12	20
06450-93081	06450-93082	M8	80	91	11	16	21	22	37	10	24	54,5	58,5	14	22
06450-93101	06450-93102	M10	80	91	11	16	21	22	37	10	24	54,5	58,5	14	22

01000
02000
03000
04000
05000
06000
07000
08000
09000
10000
12000