

Clamping levers flat

internal thread, steel parts stainless steel



Material:

Handle die-cast zinc DIN EN 12844.
Steel parts stainless steel 1.4305.

Version:

Handle powder-coated.
Stainless steel parts bright.

Sample order:

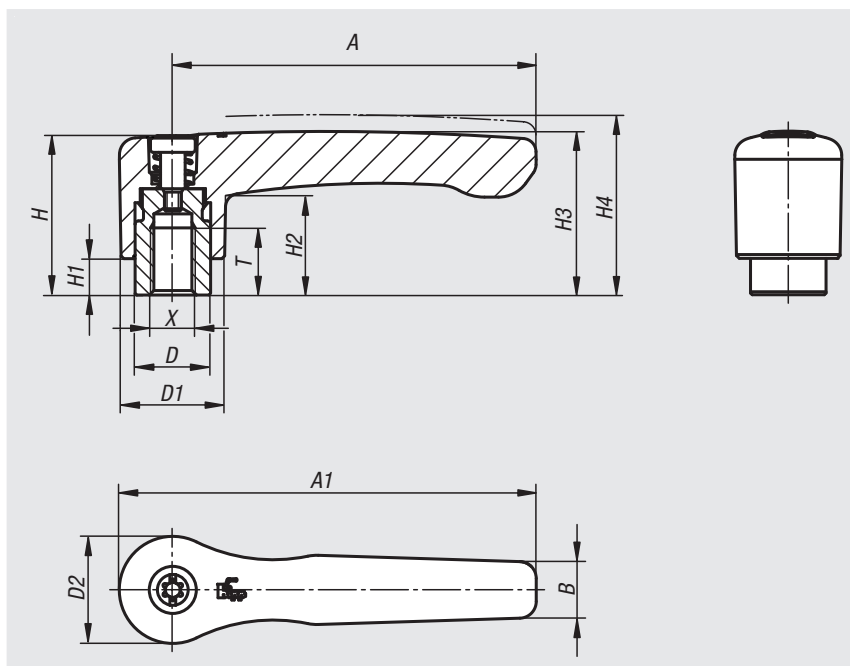
nIm 06449-2061

Note:

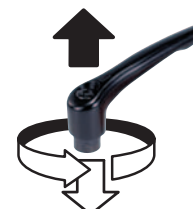
Standard colours are:
black satin finish, orange RAL 2004.

On request:

Other threads, colours and special versions.
Dimension "H1" available in other lengths at extra charge.



lift to
disengage



Order No. black	Order No. orange RAL 2004	X	A	A1	B	D	D1	D2	H	H1	H2	H3	H4	T	No. of teeth
06449-2061	06449-2062	M6	65	74,5	10,1	13,5	18,5	19,1	28,5	6,5	17,8	29,2	32,2	12	20
06449-2081	06449-2082	M8	65	74,5	10,1	13,5	18,5	19,1	28,5	6,5	17,8	29,2	32,2	12	20
06449-3081	06449-3082	M8	80	91	11,7	16	21,2	22	37	10	23,8	38	42	14	22
06449-3101	06449-3102	M10	80	91	11,7	16	21,2	22	37	10	23,8	38	42	14	22