

# Clamping levers

external thread, steel



## Material:

Handle steel 1.0401.

All other steel parts grade 5.8.

## Version:

Handle powder-coated, fine-textured structure.

Steel parts black oxidised.

## Sample order:

nIm 06443-1051X20

## Note:

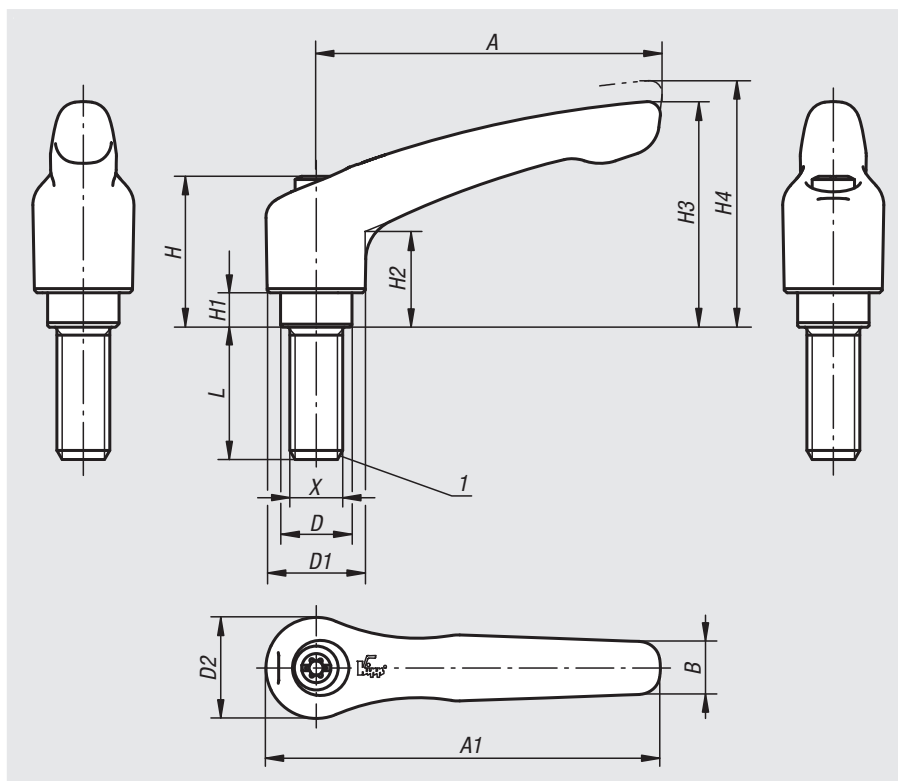
Standard colours are:

black or ruby red RAL 3003.

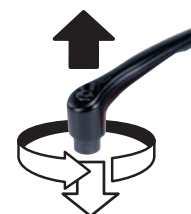
Where  $L \geq 60$  mm the thread length is always 60 mm.

## Drawing reference:

1) flat point DIN 78



lift to  
disengage



## Specifications

Size	X	A	A1	B	D	D1	D2	H	H1	H2	H3	H4	No. of teeth
1	M5/M6	40	47	7	10	13	14	24,5	4	14,5	31	34	16
2	M6/M8/M10	65	74,5	10	13,5	18,5	19	28,5	6,5	17,5	42,5	45,5	20
3	M8/M10	80	91	11	16	21	22	37	10	24	54,5	58,5	22
4	M10/M12	95	109	13	19	27	27,5	43	10	27	63	67,5	24
5	M12/M16	110	126	15	23	31	32	49	12	31,5	73	77,5	26

Order No. black	Order No. ruby red	Size	X	L
06443-1051X	06443-10527X	1	M5	10/15/20/25/30/35/40/45/50
06443-1061X	06443-10627X	1	M6	10/15/20/25/30/35/40/45/50
06443-2061X	06443-20627X	2	M6	15/20/25/30/35/40/45/50/55/60
06443-2081X	06443-20827X	2	M8	15/20/25/30/35/40/45/50/55/60
06443-2101X	06443-21027X	2	M10	15/20/25/30/35/40/45/50/55/60
06443-3081X	06443-30827X	3	M8	15/20/25/30/35/40/45/50/55/60
06443-3101X	06443-31027X	3	M10	15/20/25/30/35/40/45/50/55/60
06443-4101X	06443-41027X	4	M10	20/25/30/35/40/45/50/55/60/70/80/90
06443-4121X	06443-41227X	4	M12	20/25/30/35/40/45/50/55/60/70/80/90
06443-5121X	06443-51227X	5	M12	25/30/35/40/45/50/55/60/70/80/90
06443-5161X	06443-51627X	5	M16	25/30/35/40/45/50/55/60/70/80/90