

Clamping levers

internal thread, steel



Material:

Handle steel 1.0401.

All other steel parts grade 5.8.

Version:

Handle powder-coated, fine-textured structure.

Steel parts black oxidised.

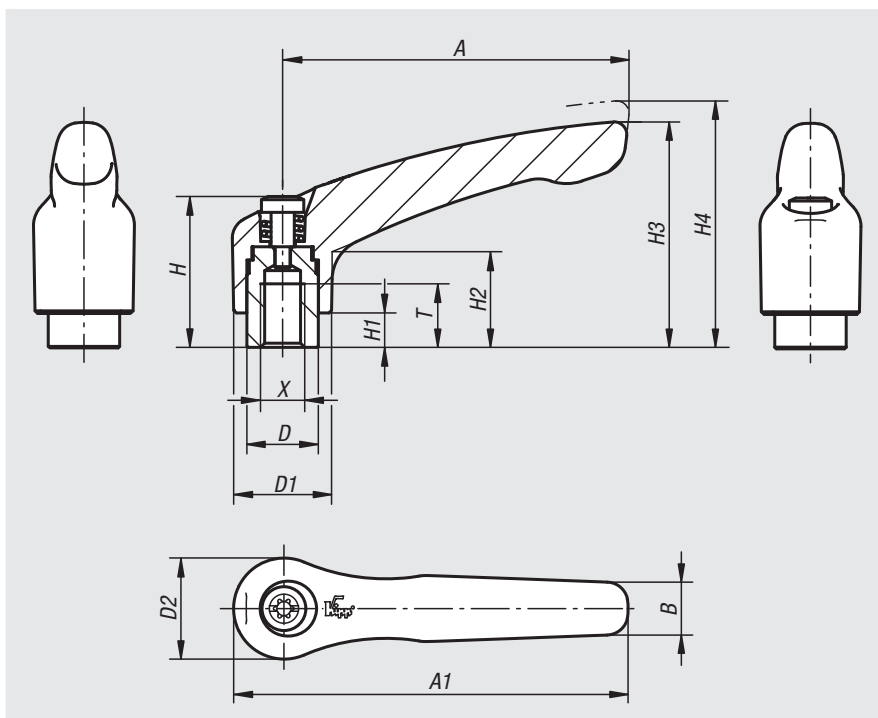
Sample order:

nIm 06442-1051

Note:

Standard colours are:

black or ruby red RAL 3003.



Order No. black	Order No. ruby red	X	A	A1	B	D	D1	D2	H	H1	H2	H3	H4	T	No. of teeth
06442-1041	06442-10427	M4	40	47	7	10	13	14	24,5	4	14,5	31	34	9	16
06442-1051	06442-10527	M5	40	47	7	10	13	14	24,5	4	14,5	31	34	9	16
06442-1061	06442-10627	M6	40	47	7	10	13	14	24,5	4	14,5	31	34	9	16
06442-2061	06442-20627	M6	65	74,5	10	13,5	18,5	19	28,5	6,5	17,5	42,5	45,5	12	20
06442-2081	06442-20827	M8	65	74,5	10	13,5	18,5	19	28,5	6,5	17,5	42,5	45,5	12	20
06442-3081	06442-30827	M8	80	91	11	16	21	22	37	10	24	54,5	58,5	14	22
06442-3101	06442-31027	M10	80	91	11	16	21	22	37	10	24	54,5	58,5	14	22
06442-4101	06442-41027	M10	95	109	13	19	27	27,5	43	10	27	63	67,5	17	24
06442-4121	06442-41227	M12	95	109	13	19	27	27,5	43	10	27	63	67,5	17	24
06442-5121	06442-51227	M12	110	126	15	23	31	32	49	12	31,5	73	77,5	23	26
06442-5161	06442-51627	M16	110	126	15	23	31	32	49	12	31,5	73	77,5	23	26