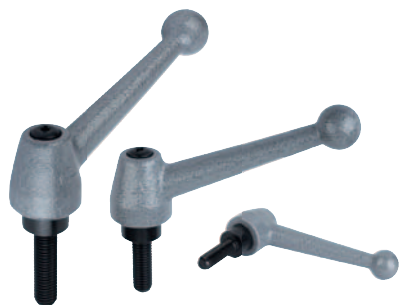


Clamping levers

external thread



Material:

Handle steel 1.0401.
All other steel parts grade 5.8.

Version:

Handle painted silver-grey hammer-tone.
Steel parts black oxidised.

Sample order:

nIm 06441-110X30 (include length L)

Note:

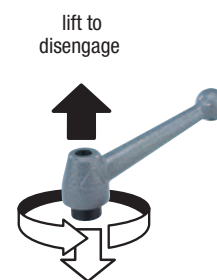
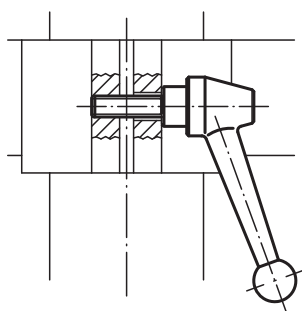
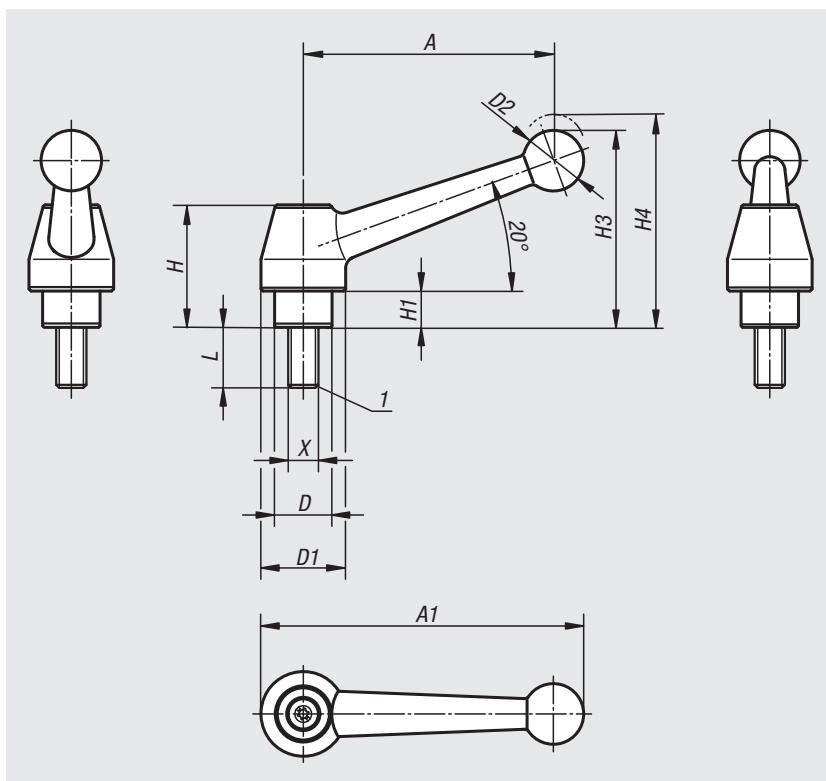
Where $L \geq 60$ mm the thread length is always 60 mm.

On request:

Other threads, screw lengths and special versions.
Dimension "H1" available in other lengths at extra charge.

Drawing reference:

1) flat point DIN 78



Order No.	Main material	X	A	A1	D	D1	D2	H	H1	H3	H4	No. of teeth	L
06441-110X	steel	M10	83	107	19	28	20	40,5	12	65	68,5	24	20/25/30/35/40/45/50/55/60/70/80/90
06441-112X	steel	M12	83	107	19	28	20	40,5	12	65	68,5	24	20/25/30/35/40/45/50/55/60/70/80/90
06441-212X	steel	M12	108	138	23	35	25	51,5	12	79,5	84	26	25/30/35/40/45/50/55/60/70/80/90
06441-216X	steel	M16	108	138	23	35	25	51,5	12	79,5	84	26	25/30/35/40/45/50/55/60/70/80/90
06441-316X	steel	M16	132	168	30	43	30	60	12	93	97,5	36	30/40/50/60/70/80/90
06441-320X	steel	M20	132	168	30	43	30	60	12	93	97,5	36	30/40/50/60/70/80/90

Clamping levers

external thread, stainless steel



Material:

Handle stainless steel 1.4308.
All other metal parts stainless steel 1.4305.

Version:

Stainless steel grip electropolished.
Steel parts bright.

Sample order:

nIm 06441-1110X30 (include length L)

Note:

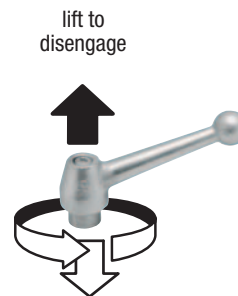
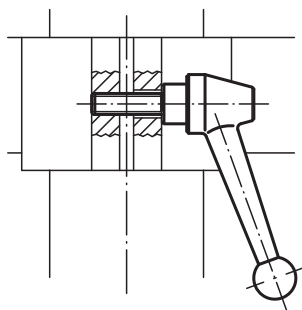
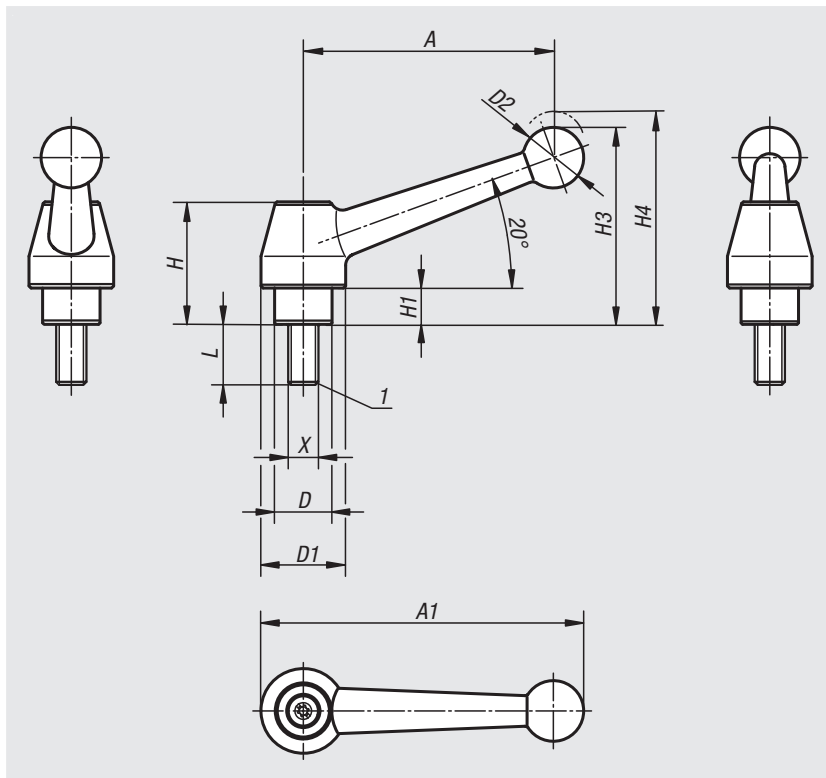
Where L ≥ 60 mm the thread length is always 60 mm.

On request:

Other threads, screw lengths and special versions.
Dimension "H1" available in other lengths at extra charge.

Drawing reference:

1) flat point DIN 78



Order No.	Main material	X	A	A1	D	D1	D2	H	H1	H3	H4	No. of teeth	L
06441-1110X	stainless steel	M10	83	107	19	28	20	40,5	12	65	68,5	24	25/30/40/50/60
06441-1112X	stainless steel	M12	83	107	19	28	20	40,5	12	65	68,5	24	25/30/40/50/60

01000
02000
03000
04000
05000
06000
07000
08000
09000
10000
12000