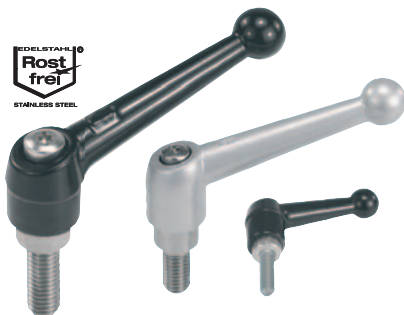


Clamping levers

external thread, steel parts stainless steel



Material:

Handle die-cast zinc DIN EN 12844.
Steel parts stainless steel 1.4305.

Version:

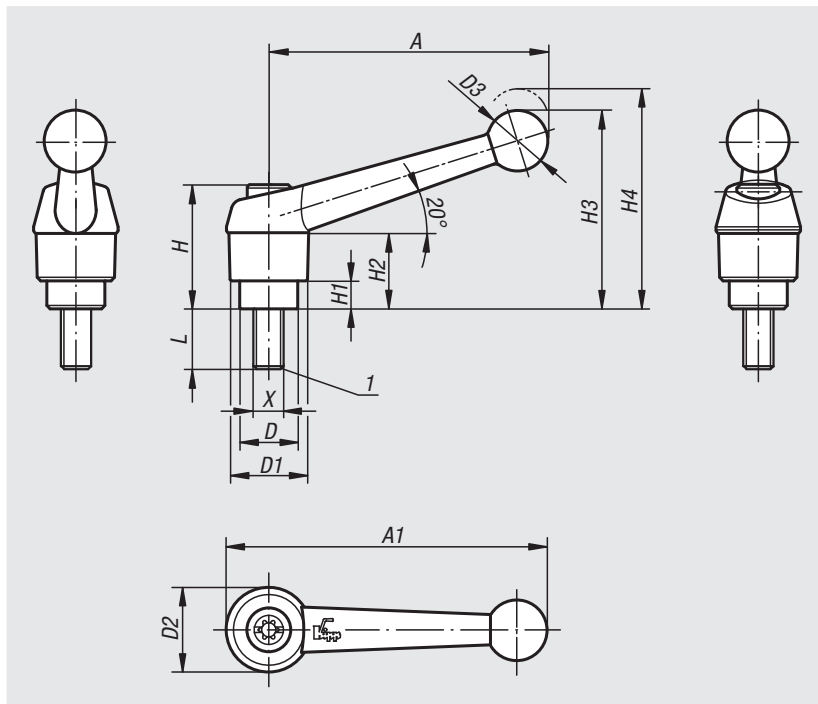
Handle powder-coated.
Stainless steel bright.

Sample order:

nIm 06431-1051X20 (include length L)

Note:

Standard colours are:
black satin finish, silver metallic.



Where $L \geq 60$ mm the thread length is always 60 mm.

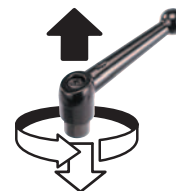
On request:

Other threads, screw lengths, colours and special versions.
Dimension "H1" available in other lengths at extra charge.

Drawing reference:

1) flat point DIN 78

lift to disengage



Specifications

Size	X	A	A1	D	D1	D2	D3	H	H1	H2	H3	H4	No. of teeth
1	M5/M6	39	46	10	13	14	10,5	24,5	4	15	32,5	35,5	16
2	M6/M8/M10	64	73	13,5	18	18,5	15,5	28,5	6,5	16,5	45,5	49,5	20
3	M8/M10	79	90	16	21	22	17	37	10	23	57,5	61,5	22
4	M12	95	108	19	25	26	19	42,5	10	26	67	72	24
5	M16	110	126	23	30	31	22	49	12	32	79	84	26

Order No. black	Order No. silver metallic	Size	X	L
06431-1051X	06431-1053X	1	M5	10/15/20/25
06431-1061X	06431-1063X	1	M6	10/15/20/25/30/40/50
06431-2061X	06431-2063X	2	M6	15/20/25/30/40/50/60
06431-2081X	06431-2083X	2	M8	15/20/25/30/40/50/60
06431-2101X	06431-2103X	2	M10	20/25/30/40/50/60
06431-3081X	06431-3083X	3	M8	20/25/30/40/50/60
06431-3101X	06431-3103X	3	M10	20/25/30/40/50/60
06431-4121X	06431-4123X	4	M12	25/30/40/50/60
06431-5161X	06431-5163X	5	M16	30/40/50/60

01000 02000 03000 04000 05000 06000 07000 08000 09000 10000 12000