

Ball handles

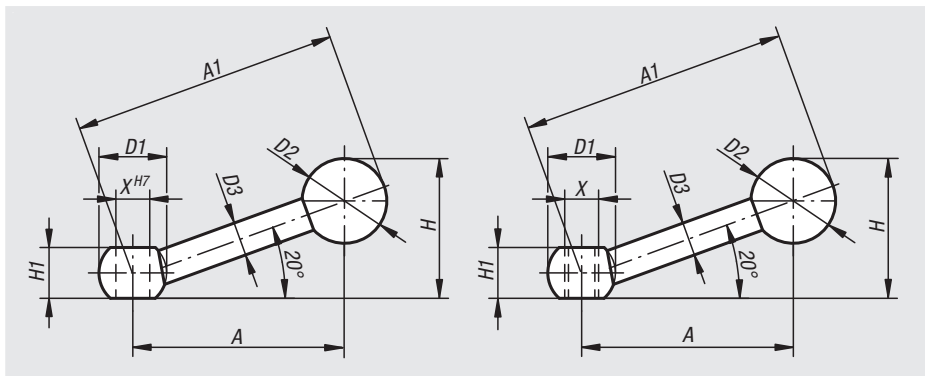
DIN 6337



Material:
Steel.
Ball knob thermoset.

Version:
Black oxidised, ball knob black.

Sample order:
nlm 06420-112



Order No. reamed hole	Order No. internal thread	X	A=Handle length	A1	D1	D2	D3	H	H1
06420-108	06420-208	8/M8	50	63	16	20	8	33	12
06420-110	06420-210	10/M10	66	80	20	20	9	40	14,5
06420-112	06420-212	12/M12	82,5	100	25	25	11	50	18,5
06420-116	06420-216	16/M16	103	125	32	32	15	63	24

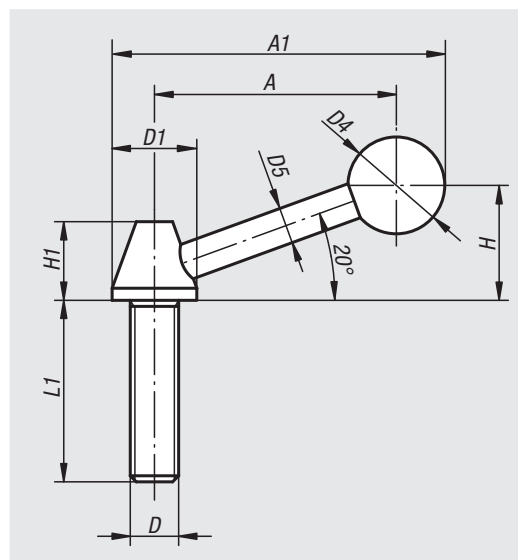
Clamping levers



Material:
Steel.
Ball knob thermoset.

Version:
steel black oxidised.
Ball knob black.

Sample order:
nlm 06430-112



Order No.	A	A1	D	D1	D4	D5	H	H1	L1
06430-108	48	55	M8	14	16	6	19	13	45
06430-110	64	73	M10	18	20	6	24	17	60
06430-112	97	108	M12	22	30	10	42	19	70
06430-116	126	138,5	M16	25	32	12	55	23	75