

Clamping levers

internal thread



Material:

Handle die-cast zinc DIN EN 12844.
Steel parts grade 5.8.

Version:

Handle powder-coated.
Steel parts black oxidised.

Sample order:

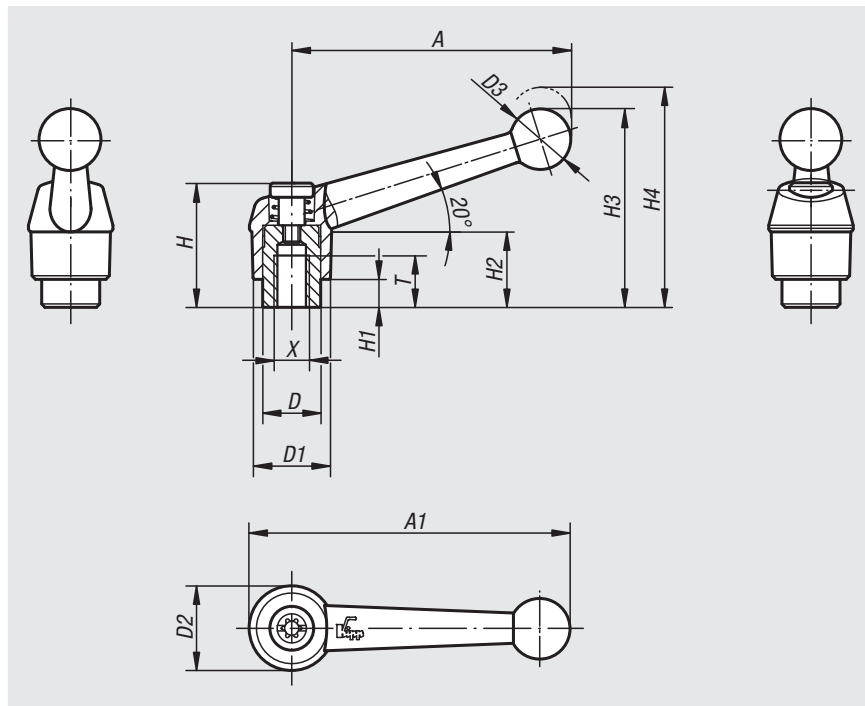
nlm 06410-4103

Note:

Standard colours are:
black satin finish, silver metallic.

On request:

Other threads, colours and special versions.
Dimension "H1" available in other lengths at extra charge.



Order No. black	Order No. silver metallic	X	A	A1	T	D	D1	D2	D3	H	H1	H2	H3	H4	No. of teeth
06410-1041	06410-1043	M4	39	46	9	10	13	14	10,5	24,5	4	15	32,5	35,5	16
06410-1051	06410-1053	M5	39	46	9	10	13	14	10,5	24,5	4	15	32,5	35,5	16
06410-1061	06410-1063	M6	39	46	9	10	13	14	10,5	24,5	4	15	32,5	35,5	16
06410-2061	06410-2063	M6	64	73	12	13,5	18	18,5	15,5	28,5	6,5	16,5	45,5	49,5	20
06410-2081	06410-2083	M8	64	73	12	13,5	18	18,5	15,5	28,5	6,5	16,5	45,5	49,5	20
06410-3081	06410-3083	M8	79	90	14	16	21	22	17	37	10	23	57,5	61,5	22
06410-3101	06410-3103	M10	79	90	14	16	21	22	17	37	10	23	57,5	61,5	22
06410-4101	06410-4103	M10	95	108	17	19	25	26	19	42,5	10	26	67	72	24
06410-4121	06410-4123	M12	95	108	17	19	25	26	19	42,5	10	26	67	72	24
06410-5121	06410-5123	M12	110	126	23	23	30	31	22	49	12	32	79	84	26
06410-5161	06410-5163	M16	110	126	23	23	30	31	22	49	12	32	79	84	26