

## Tension levers flat

external thread, stainless steel



**Material:**

Steel parts stainless steel 1.4305.  
Ball knob black plastic.

**Version:**

Steel parts bright.

**Sample order:**

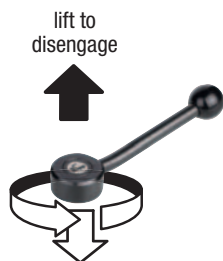
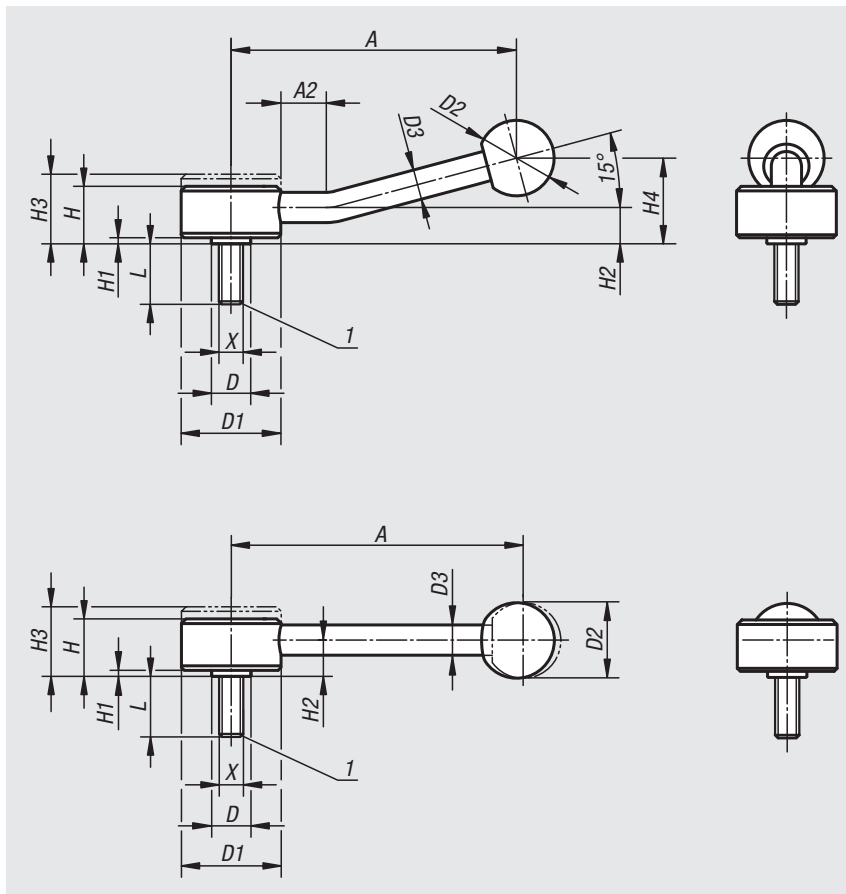
n1m 06401-1081X40 (include length L)

**On request:**

Other threads, screw lengths and special versions.  
Dimensions "H1" and "A" available in other lengths  
at extra charge.

**Drawing reference:**

1) flat point DIN 78



Order No. 0°	Order No. 15°	X	A=Handle length	A2	D	D1	D2	D3	H	H1	H2	H3	H4	L	No. of teeth
06401-1081X	06401-1082X	M8	102/100	-/15	13,5	33	25	10	19	2	12	23	-/29	30/40/50	26
06401-2101X	06401-2102X	M10	131/127	-/15	19	41	30	12	22	2	13,5	26	-/38	30/40/50/60	30
06401-2121X	06401-2122X	M12	131/127	-/15	19	41	30	12	22	2	13,5	26	-/38	30/40/50/60	30
06401-3161X	06401-3162X	M16	148/145	-/15	23	45	37	14	28	2	17	33	-/48	40/50/60	36