

Tension levers flat

external thread



Material:

Steel parts grade 5.8.
Ball knob black plastic.

Version:

Black oxidised.

Sample order:

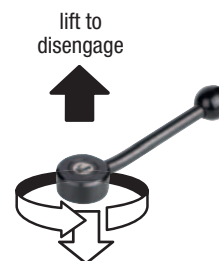
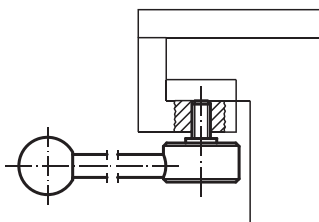
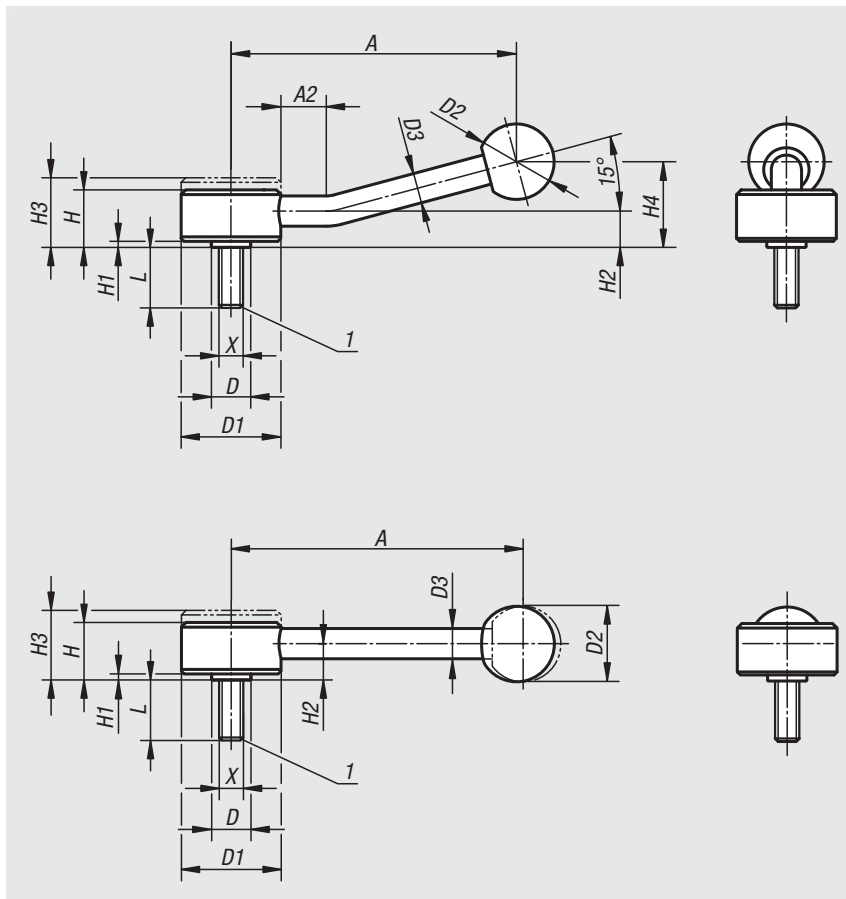
nIm 06400-1081X30 (include length L)

On request:

Other threads, screw lengths and special versions.
Dimensions "H1" and "A" available in other lengths
at extra charge.

Drawing reference:

1) flat point DIN 78



Order No. 0°	Order No. 15°	X	A=Handle length	A2	D	D1	D2	D3	H	H1	H2	H3	H4	L	No. of teeth
06400-1081X	06400-1082X	M8	102/100	-/15	13,5	33	25	10	19	2	12	23	-/29	15/20/25/30/40/50/60	20
06400-1101X	06400-1102X	M10	102/100	-/15	13,5	33	25	10	19	2	12	23	-/29	15/20/25/30/40/50/60	20
06400-2101X	06400-2102X	M10	131/127	-/15	19	41	30	12	22	2	13,5	26	-/38	20/25/30/40/50/60	24
06400-2121X	06400-2122X	M12	131/127	-/15	19	41	30	12	22	2	13,5	26	-/38	20/25/30/40/50/60	24
06400-3121X	06400-3122X	M12	148/145	-/15	23	45	37	14	28	2	17	33	-/48	20/25/30/40/50/60	26
06400-3161X	06400-3162X	M16	148/145	-/15	23	45	37	14	28	2	17	33	-/48	20/25/30/40/50/60	26

01000 02000 03000 04000 05000 06000 07000 08000 09000 10000 12000